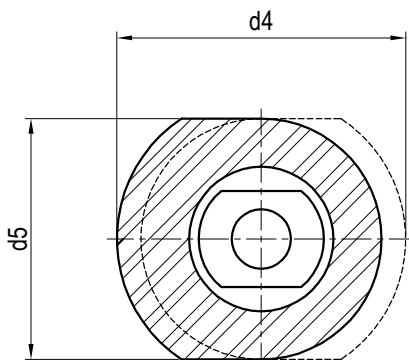
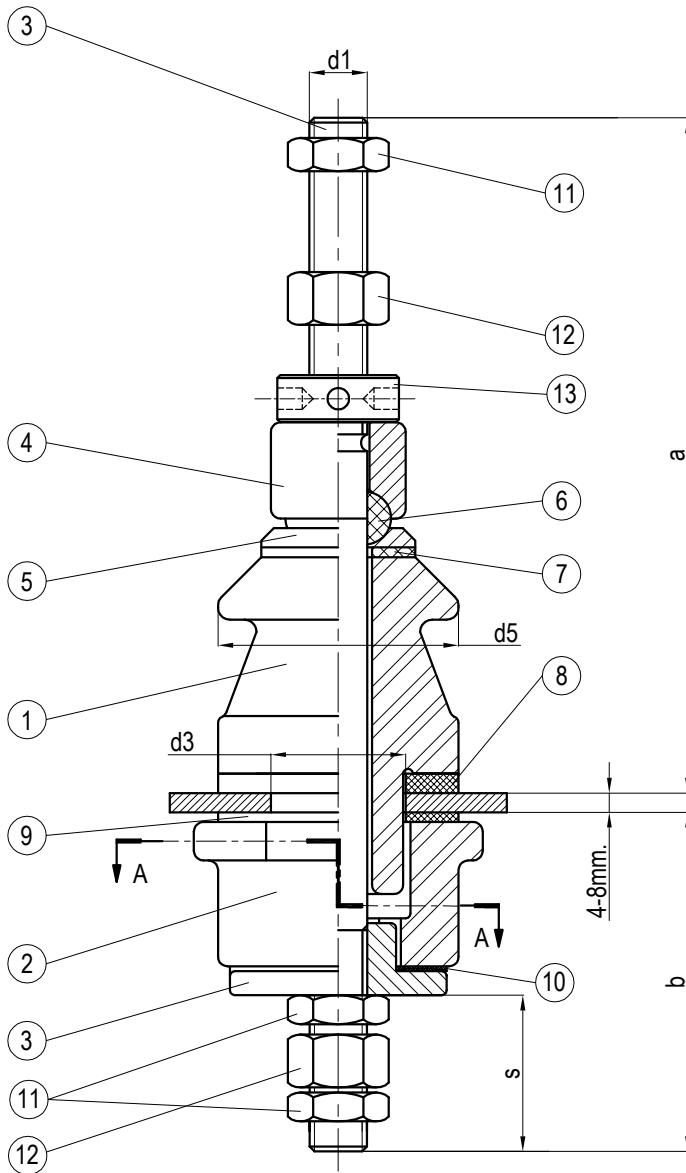


# ELKOM<sup>®</sup>



**complete bushings  
(IRAM standards compliant types)**



A:A Section

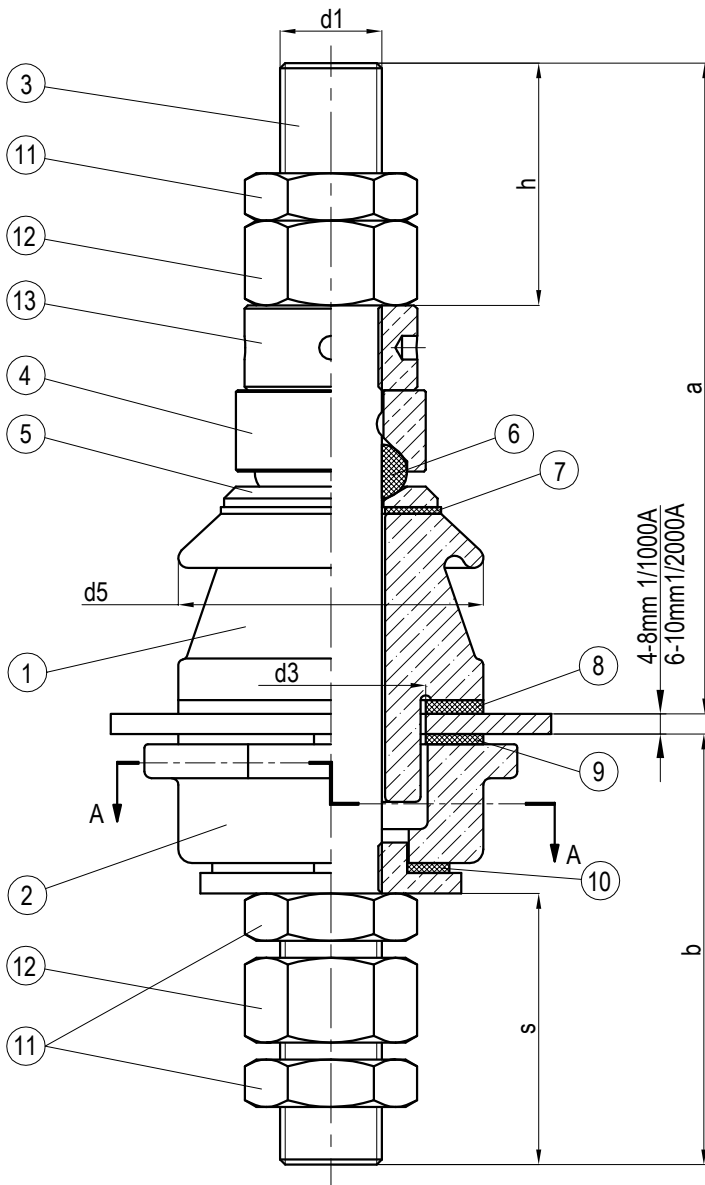
Pos.	Qty.	Description
1	1	Top Porcelain "A"
2	1	Bottom Porcelain "B"
3	1	Copper Bolt & Brass Bottom Part
4	1	Brass Cap "E"
5	1	Brass Washer "G"
6	1	Ring Gasket "J"
7	1	Plain Gasket "M"
8	1	Flange Gasket "N"
9	1	Internal Gasket "O"
10	1	Internal Gasket "P"
11	3	Brass Lock Nut ISO 4035
12	2	Brass Nut ISO 4032
13	1	Torque Nut

Rated Voltage (kV)	Max. Voltage (kV)	Lightning Impulse (kV)	Power Frequency Withstand (Dry&Wet) (kV)
1	1.1	20	10

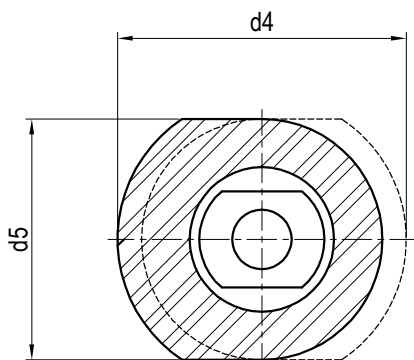
⊕ Rated Current (A)

⊗ Min. Creepage Distance (mm)

Type	⊕	a max	b max	s ±0,3	d1	d3	d4	d5	⊗
1/250	250	137	74	35	M12	28	60	50	55
1/630	630	180	96	54	M20	45	85	70	70



Pos.	Qty.	Description
1	1	Top Porcelain "A"
2	1	Bottom Porcelain "B"
3	1	Copper Bolt & Brass Bottom Part
4	1	Brass Cap "E"
5	1	Brass Washer "G"
6	1	Ring Gasket "J"
7	1	Plain Gasket "M"
8	1	Flange Gasket "N"
9	1	Internal Gasket "X"
10	1	Internal Gasket "R"
11	3	Brass Lock Nut ISO 4035
12	2	Brass Nut ISO 4032
13	1	Torque Nut



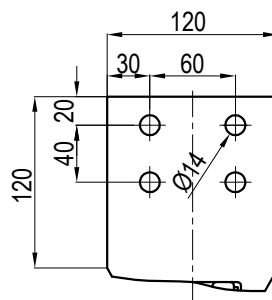
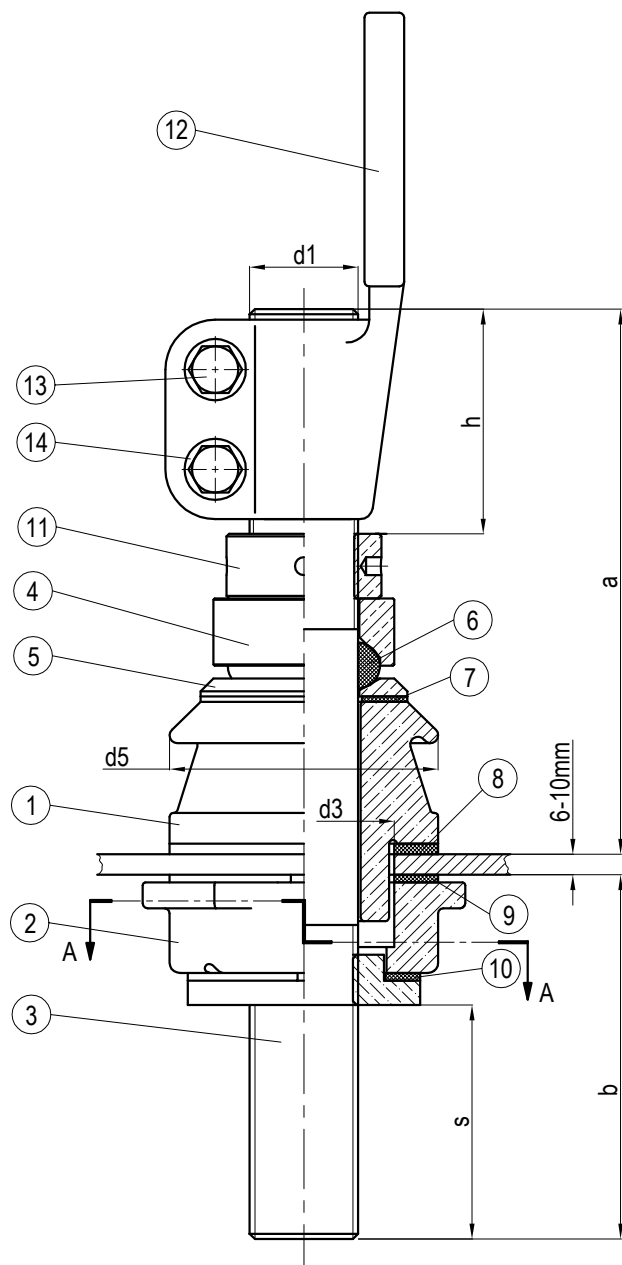
A:A Section

Rated Voltage (kV)	Max. Voltage (kV)	Lightning Impulse (kV)	Power Frequency Withstand (Dry&Wet) (kV)
1	1.1	20	10

⊕ Rated Current (A)

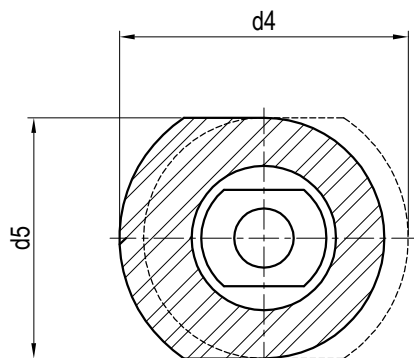
⊗ Creepage Distance (mm)

Type	⊕	a max	b max	s ±0,3	h min	d1	d3	d4	d5	⊗
1/1000	1000	194	127	80	71	M30x2	56	110	90	75
1/2000	2000	213	141	94	87	M42x3	70	125	104	75



FLAG CONNECTION DETAIL

Pos.	Qty.	Description
1	1	Top Porcelain "A"
2	1	Bottom Porcelain "B"
3	1	Copper Bolt & Brass Bottom Part
4	1	Brass Cap "E"
5	1	Brass Washer "G"
6	1	Ring Gasket "J"
7	1	Plain Gasket "M"
8	1	Flange Gasket "N"
9	1	Internal Gasket "X"
10	1	Internal Gasket "R"
11	1	Torque Nut
12	1	Brass Flag DIN 43675-EP
13	2	Bolt ISO 4017
14	2	Washer DIN 125



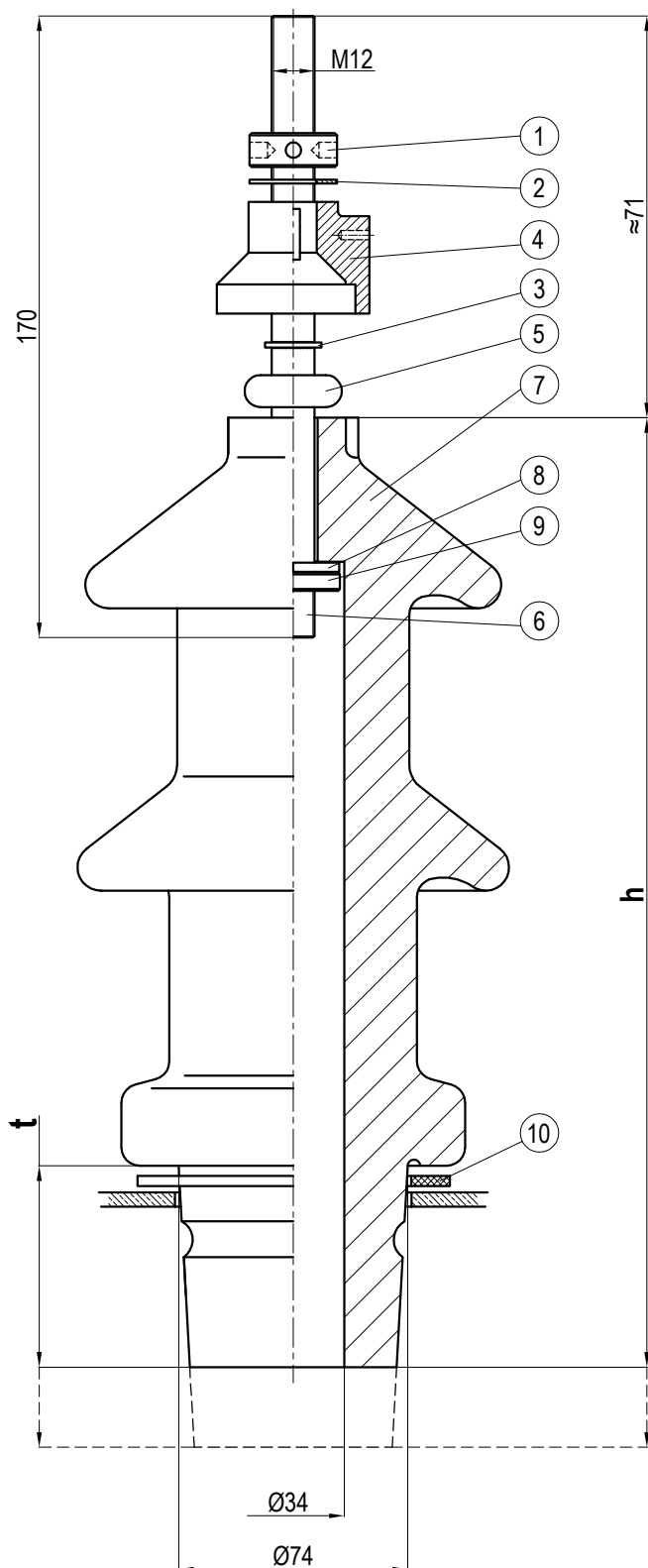
A:A Section

Rated Voltage (kV)	Max. Voltage (kV)	Lightning Impulse (kV)	Power Frequency Withstand (Dry&Wet) (kV)
1	1.1	20	10

⊕ Rated Current (A)

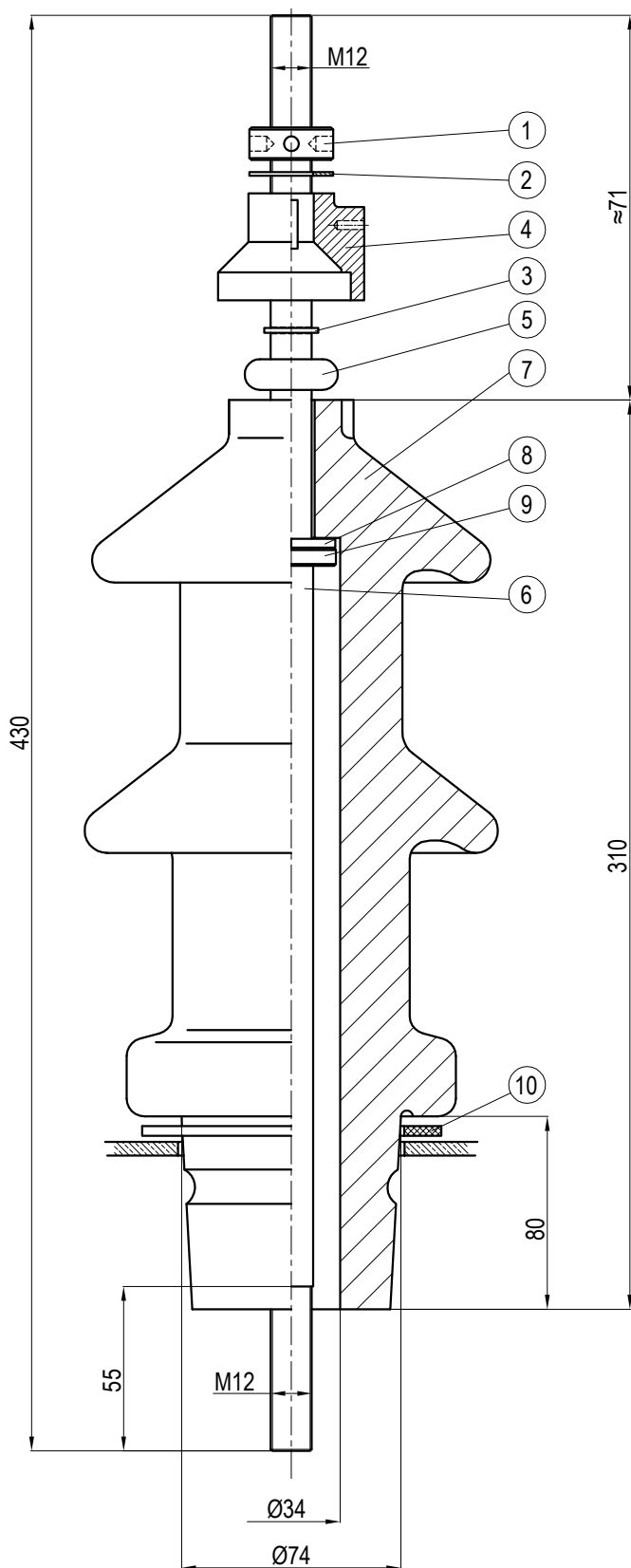
⊗ Creepage Distance (mm)

Type	⊕	a max	b max	s ±0,3	h min	d1	d3	d4	d5	⊗
1/3150	3150	225	139	90	85	M48x3	90	150	125	75



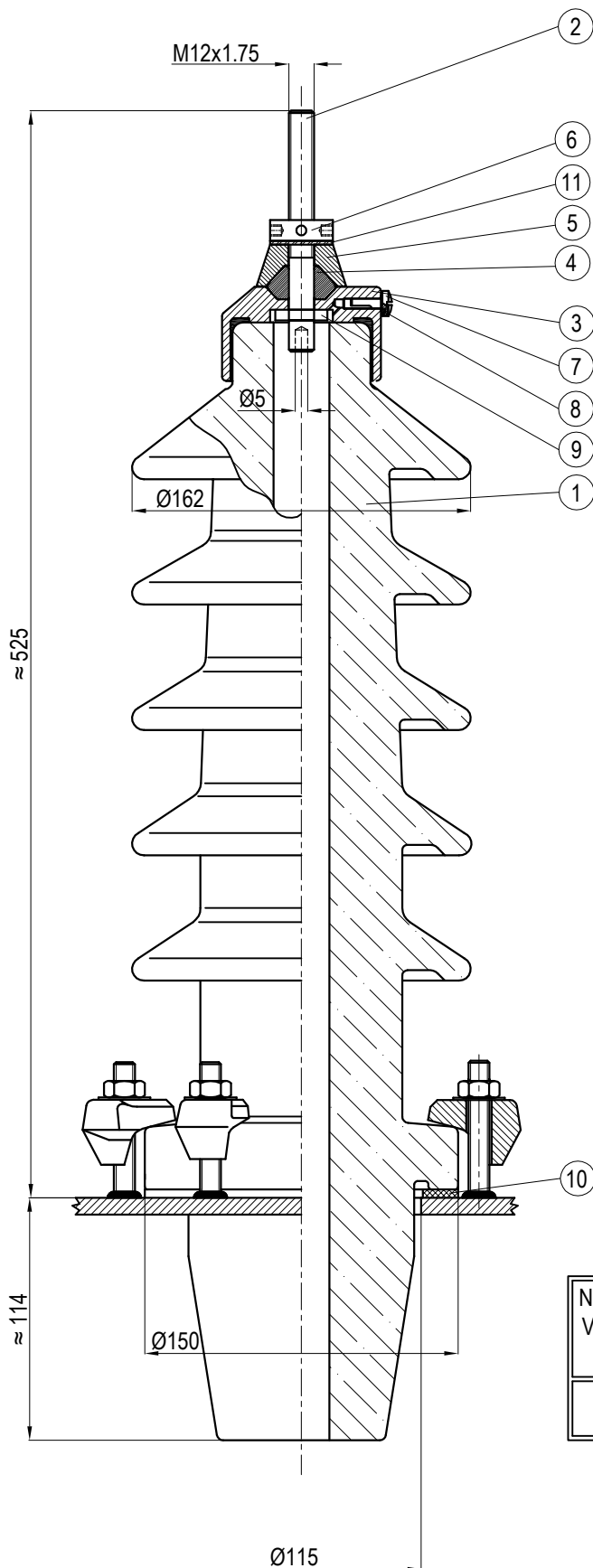
Pos.	Qty.	Description
1	1	Brass Torque Nut (M12x1.75)
2	1	Copper Washer (30x13.5x2)
3	1	Slotted Spring Pin (3.5x16)
4	1	Brass Cap "E"
5	1	Ring Gasket "J" (28x12x8)
6	1	Brass Bolt
7	1	Porcelain Insulator (Short /Long)
8	1	Internal Gasket (32x14x4)
9	1	Brass Bolt Nut
10	1	Flange Gasket "N" (108x74x4)

Type	Insulator Height ( h ) (mm)	Tail Length ( t ) (mm)	Rated Voltage (kV)	Rated Current (A)	Creepage Distance (mm)
15/250 - Short Tail Type	310	80	15	250	285
15/250 - Long Tail Type	350	120			



Pos.	Qty.	Description
1	1	Brass Torque Nut (M12x1.75)
2	1	Copper Washer (30x13.5x2)
3	1	Slotted Spring Pin (3.5x16)
4	1	Brass Cap "E"
5	1	Ring Gasket "J" (28x12x8)
6	1	Brass Extended Bolt
7	1	Porcelain Insulator
8	1	Internal Gasket (32x14x4)
9	1	Brass Bolt Ring
10	1	Flange Gasket "N" (108x74x4)

Type	Rated Voltage (kV)	Rated Current (A)	Creepage Distance (mm)
15/250 - Extended Bolt Type	15	250	285



Pos.	Qty.	Description
1	1	Porcelain Insulator
2	1	Brass Bolt
3	1	Brass Compression Cap - Bottom
4	1	Sealing Ring Gasket (11/34x11.5)
5	1	Brass Compression Cap - Top
6	1	Brass Torque Nut (M12x1.75)
7	1	Special Screw Plug (M5)
8	1	O-ring
9	1	Slotted Spring Pin (Ø5x26)
10	1	Flange Gasket (155x110x6)
11	1	Copper Washer (30x13.5x2)

Nominal Voltage (kV)	Nominal Current (A)	Lightning Impulse (kV)	Power Frequency Withstand (kV)	Creepage Distance (mm)
38	100	200	80	750

# ELKOM<sup>®</sup>

**ELKOM SDN. BHD.** (271815-D)

GST NO: 002102853632

Lot PT 32696, Kawasan Perindustrian Sungai Purun, Jalan Bangi Lama Batu 1 1/2,  
43500 Semenyih, Selangor Darul Ehsan, Malaysia

Tel : +6-03-8727 1488, 8727 1489 Fax : +6-03-8727 1487

Email : [elkom@elkom.com.my](mailto:elkom@elkom.com.my), [info@elkom.com.my](mailto:info@elkom.com.my) Website : [www.elkom.com.my](http://www.elkom.com.my)



CERTIFICATE No. KLR 0404000