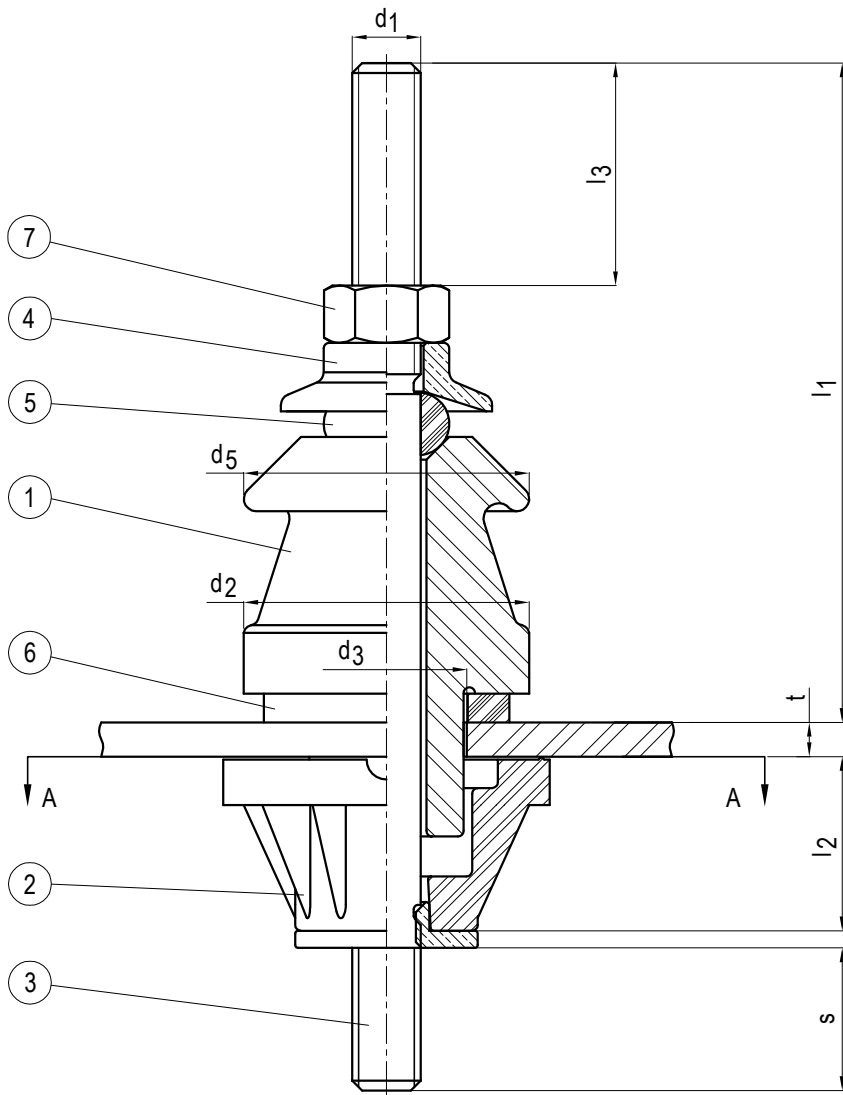


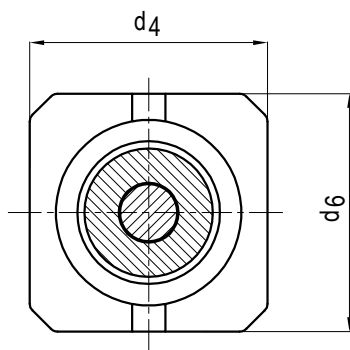
ELKOM[®]



**complete bushings
(EN types)**



Pos.	Qty.	Description
1	1	Top Insulator (Porcelain)
2	1	Bottom Insulator (PA)
3	1	Brass Stem & Bottom Part
4	1	Brass Cap "E"
5	1	Ring Gasket "J"
6	1	Flange Gasket (N)
7	1	Brass Nut ISO 4032



SECTION A-A

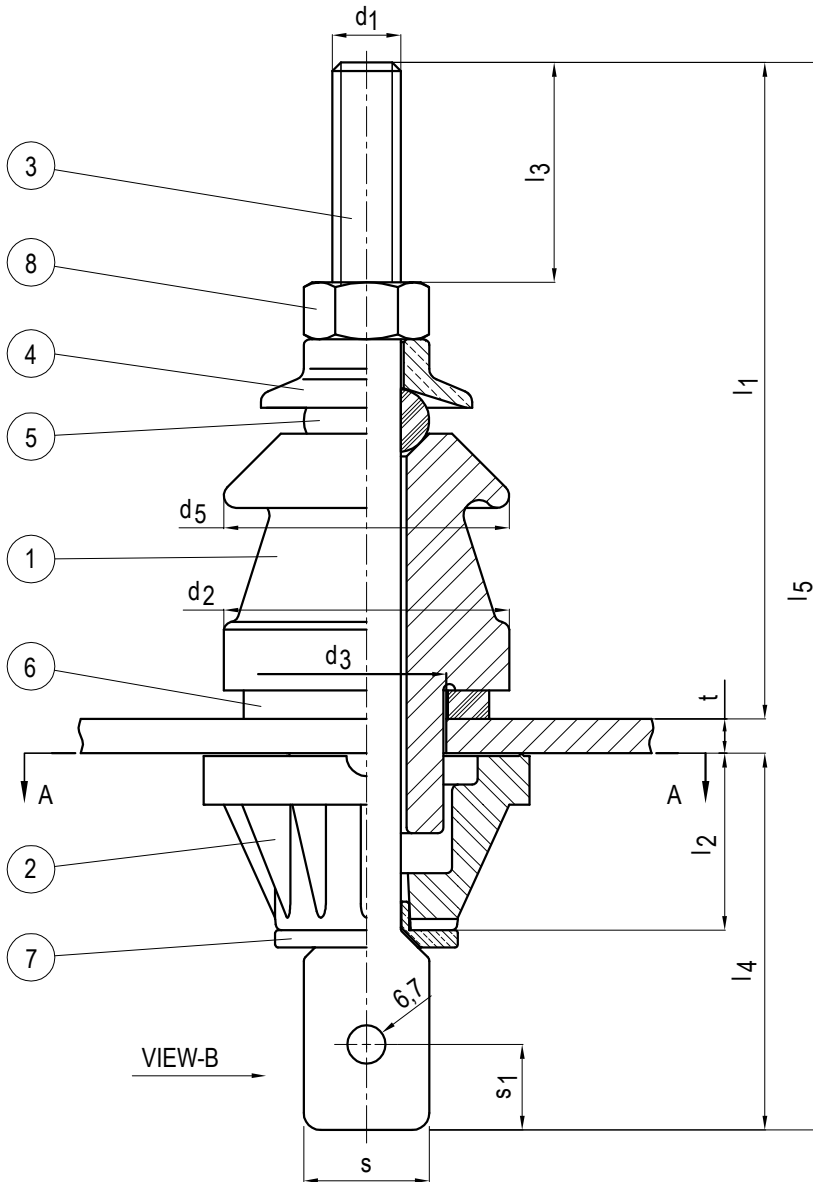
Rated Voltage (kV)	Max. Voltage (kV)	Lightning Impulse (kV)	Power Frequency Withstand (Dry&Wet) (kV)
1	1.1	20	10

⊕ Rated current (A)

⊙ Weight (kg)

⊗ Creepage distance (mm)

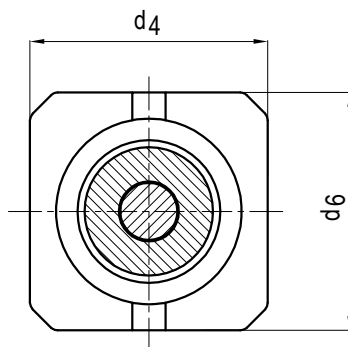
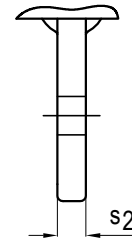
Type	⊕	l_1 max.	l_2 min.	s $\pm 0,3$	t max.	d_1	d_2 max.	d_3 $^{+2}_0$	d_4 max.	l_3 min.	d_5 max.	d_6	⊗	⊙
1/250	250	115	30	25	6	M12	56	28	50	40	56	50	55	0.5
1/630	630	165	30	37	6	M20	70	45	70	65	70	70	70	1.5



Pos.	Qty.	Description
1	1	Top Insulator (Porcelain)
2	1	Bottom Insulator (PA)
3	1	Brass Stem
4	1	Brass Cap "E"
5	1	Ring Gasket "J"
6	1	Flange Gasket (N)
7	1	Brass Bottom Part
8	1	Brass Nut ISO 4032

Note: Part nr. 7 not included in 630A .

VIEW - B



SECTION A-A

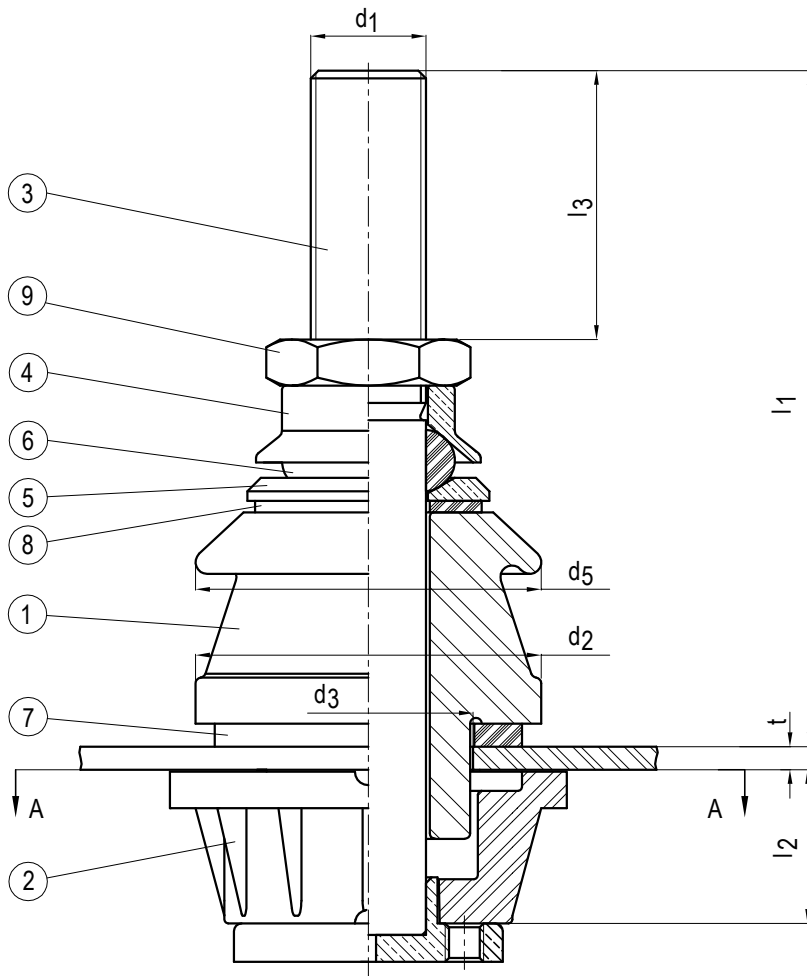
Rated Voltage (kV)	Max. Voltage (kV)	Lightning Impulse (kV)	Power Frequency Withstand (Dry&Wet) (kV)
1	1.1	20	10

⊕ Rated current (A)

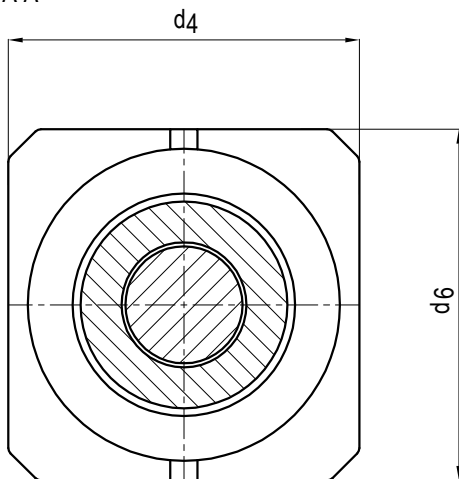
⊗ Weight (kg)

⊗ Creepage distance (mm)

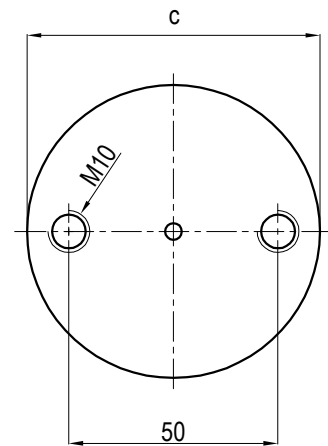
Type	⊕	l1 max.	l2 min.	s ±1	t max.	d1	d2 max.	d3 ⁺²	d4 max.	d6	l3 min.	d5 max.	s1	l4 ±1	l5 ±1	s2 ±0,5	⊗	⊗
1/250	250	115	30	22	6	M12	56	28	50	50	40	56	15	65	187	5	55	0.5
1/630	630	163	30	32	6	M20	70	45	70	70	65	70	14	67	235	9	70	1.4



SECTION A-A



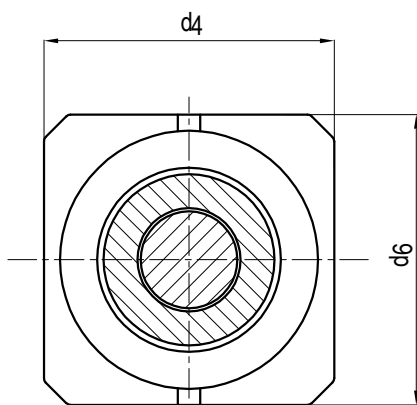
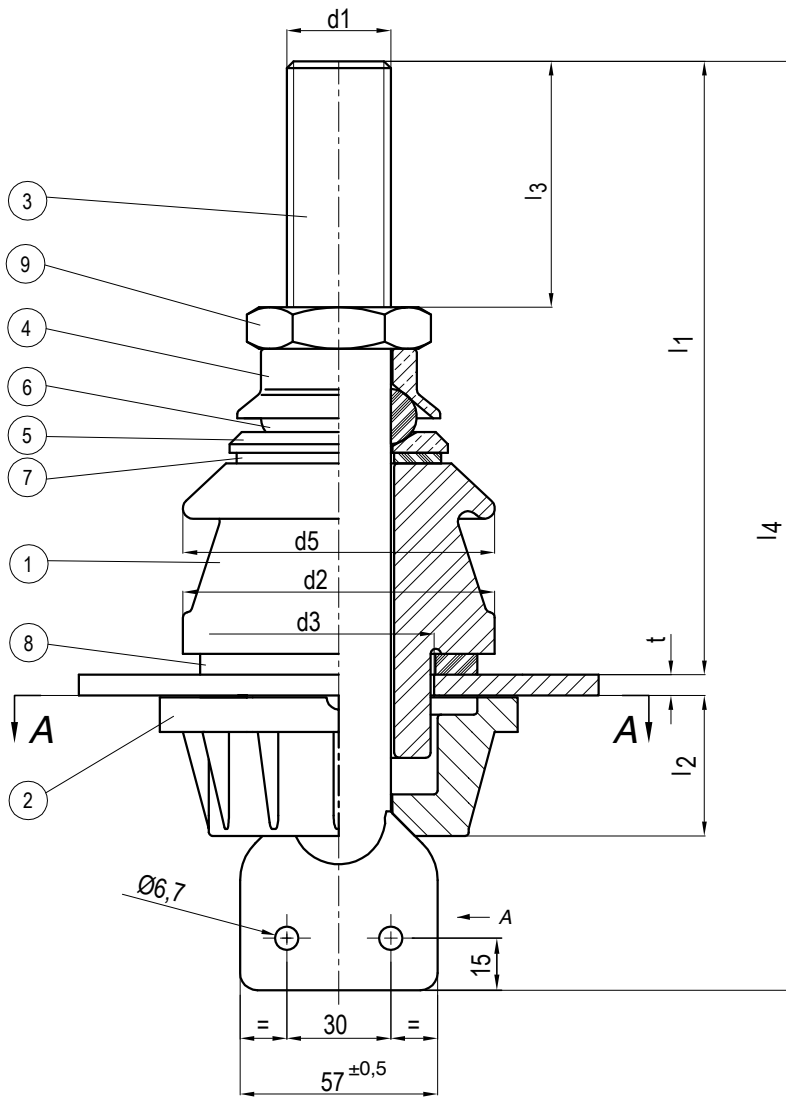
Pos.	Qty.	Description
1	1	Top Insulator (Porcelain)
2	1	Bottom Insulator (PA)
3	1	Stem + Brass Bottom Part
4	1	Brass Cap "E"
5	1	Brass Washer "G"
6	1	Ring Gasket "J"
7	1	Flange Gasket (N)
8	1	Flange Gasket (M)
9	1	Brass Nut UNI 5589



Rated Voltage (kV)	Max. Voltage (kV)	Lightning Impulse (kV)	Power Frequency Withstand (Dry&Wet) (kV)
1	1.1	20	10

- ⊕ Rated current (A)
- ⊗ Creepage distance (mm)
- ⊙ Weight (kg)

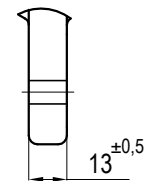
Type	⊕	l ₁ max.	l ₂ min.	l ₃ min.	c	t max.	d ₁	d ₂ max.	d ₃ ⁺² ₀	d ₄ max.	d ₅ max.	d ₆	⊗	⊙	Stem Material (Part Nr. 3)
1/1000	1000	175,5	40	70	70	6	M30x2	90	56	90	90	90	75	2,7	Brass
1/1250	1250	175,5	40	70	70	6	M30x2	90	56	90	90	90	75	2,8	Copper



SECTION A-A

Pos.	Qty.	Description
1	1	Top Insulator (Porcelain)
2	1	Bottom Insulator (PA)
3	1	Stem
4	1	Brass Cap "E"
5	1	Brass Washer "G"
6	1	Ring Gasket "J"
7	1	Flange Gasket (M)
8	1	Flange Gasket (N)
9	1	Brass Nut UNI 5589

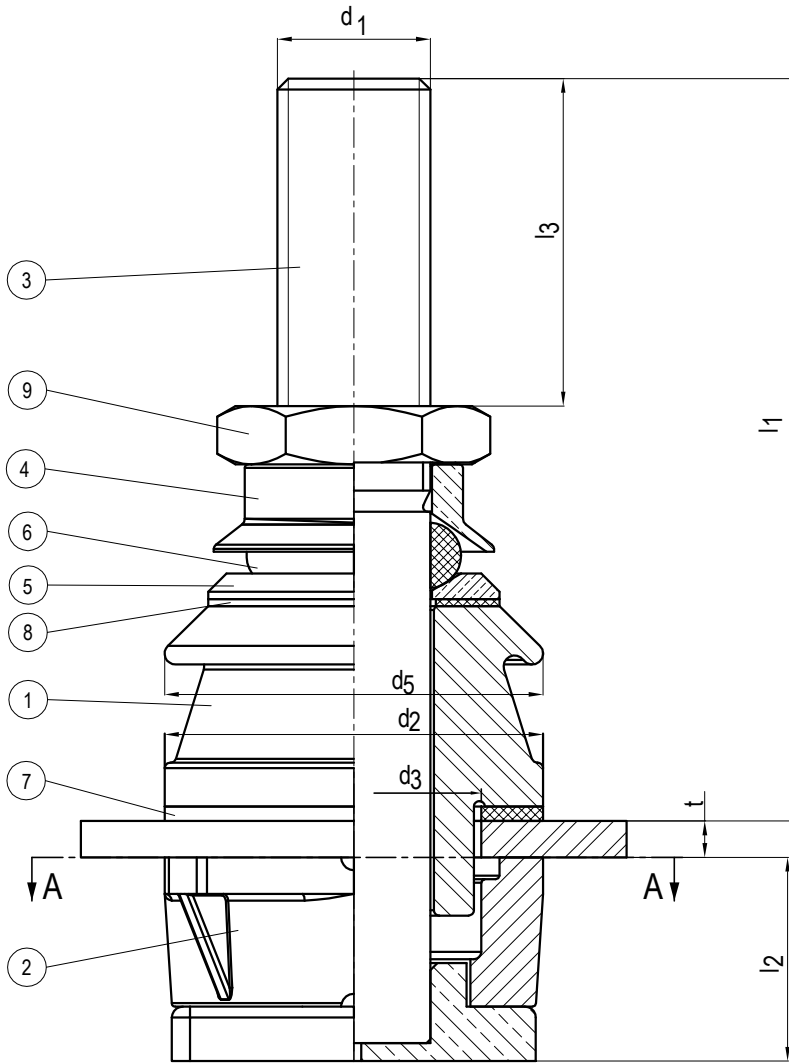
View A



Rated Voltage (kV)	Max. Voltage (kV)	Lightning Impulse (kV)	Power Frequency Withstand (Dry&Wet) (kV)
1	1.1	20	10

- ⊕ Rated current (A)
- ⊗ Creepage distance (mm)
- ⊙ Weight (kg)

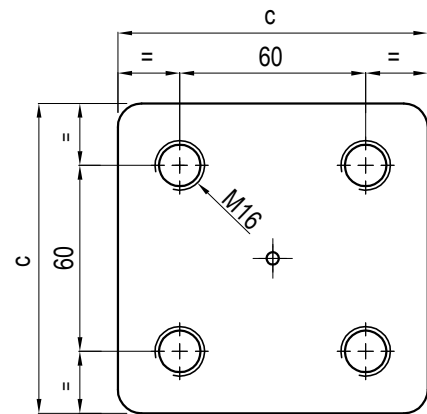
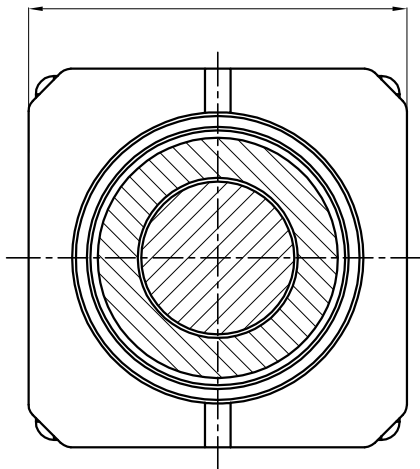
Type	⊕	l ₁ max.	l ₂ min.	l ₃ min.	l ₄	t max.	d ₁	d ₂ max.	d ₃ ^{+2/0}	d ₄ max.	d ₅ max.	d ₆	⊗	⊙	Stem Material (Part Nr. 3)
1/1000	1000	177,5	40	70	268	6	M30x2	90	56	90	90	90	75	2,7	Brass
1/1250	2000	177,5	40	70	268	6	M30x2	90	56	90	90	90	75	2,8	Copper



Pos.	Qty.	Description
1	1	Top Insulator (Porcelain)
2	1	Bottom Insulator (PA)
3	1	Copper Stem + Brass Bottom Part
4	1	Brass Cap "E"
5	1	Brass Washer "G"
6	1	Ring Gasket "J"
7	1	Flange Gasket (N)
8	1	Flange Gasket (M)
9	1	Brass Nut UNI 5589

VIEW A
d4

SECTION A-A

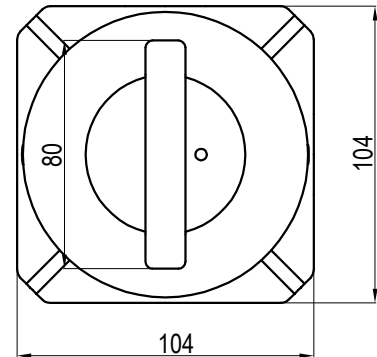
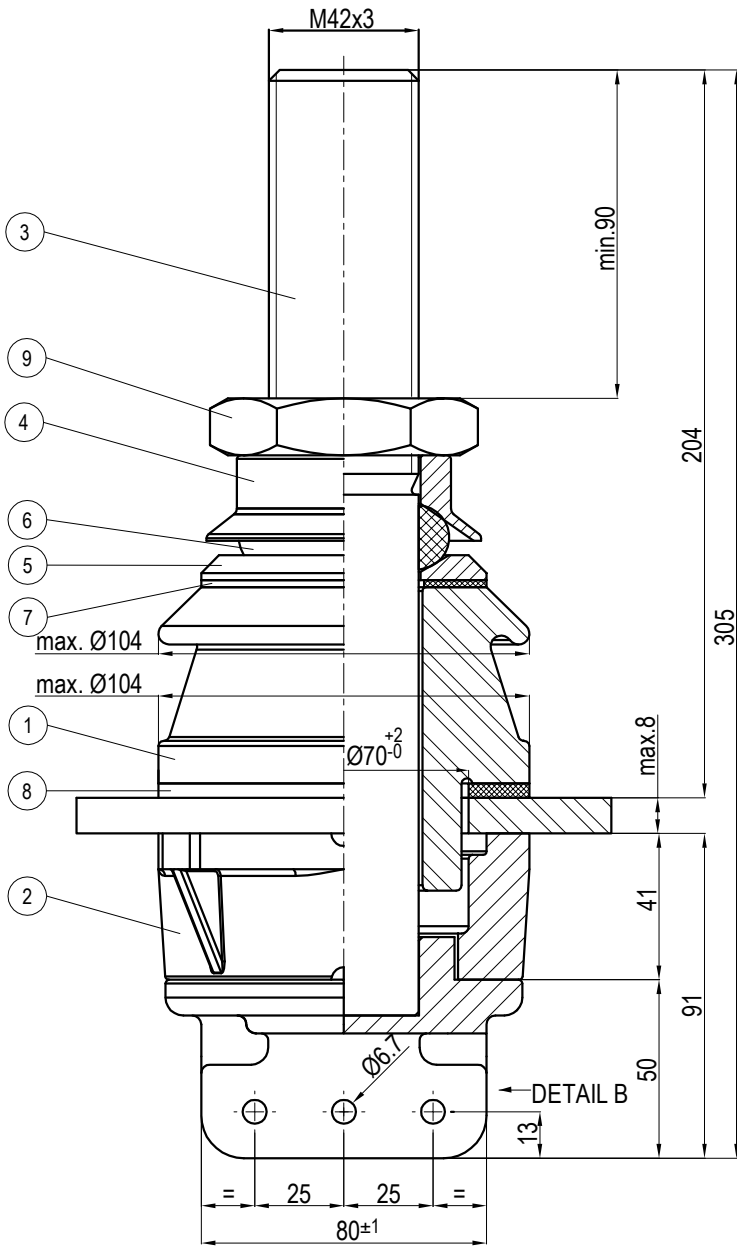


VIEW A

Rated Voltage (kV)	Max. Voltage (kV)	Lightning Impulse (kV)	Power Frequency Withstand (Dry&Wet) (kV)
1	1.1	20	10

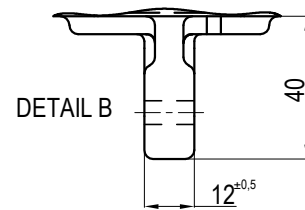
- ⊕ Rated current (A)
- ⊗ Creepage distance (mm)
- Weight (kg)

Type	⊕	l1 max.	l2 min.	t max.	c	d1	d2 max.	d3 ⁺² 0	d4 max.	d6 max.	l3 min.	d5 max.	⊗	●
1/2000	2000	240	56	10	100	M42x3	104	70	104	104	90	104	75	6,2
1/3150	3150	250	56	10	110	M48x3	125	90	125	150	90	125	75	8,5
1/4000	4000	300	70	10	160	M55x3	160	118	166	180	110	180	85	18



VIEW C

Pos.	Qty.	Description
1	1	Top Insulator (Porcelain)
2	1	Bottom Insulator (PA)
3	1	Stem + Brass Bottom Part
4	1	Brass Cap "E"
5	1	Brass Washer "G"
6	1	Ring Gasket "J"
7	1	Flange Gasket "M"
8	1	Flange Gasket "N"
9	1	Brass Nut UNI 5589



DETAIL B

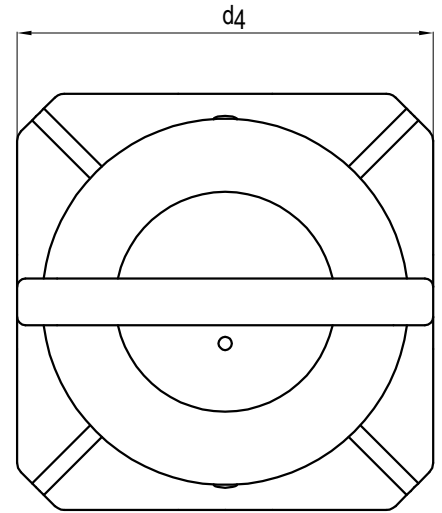
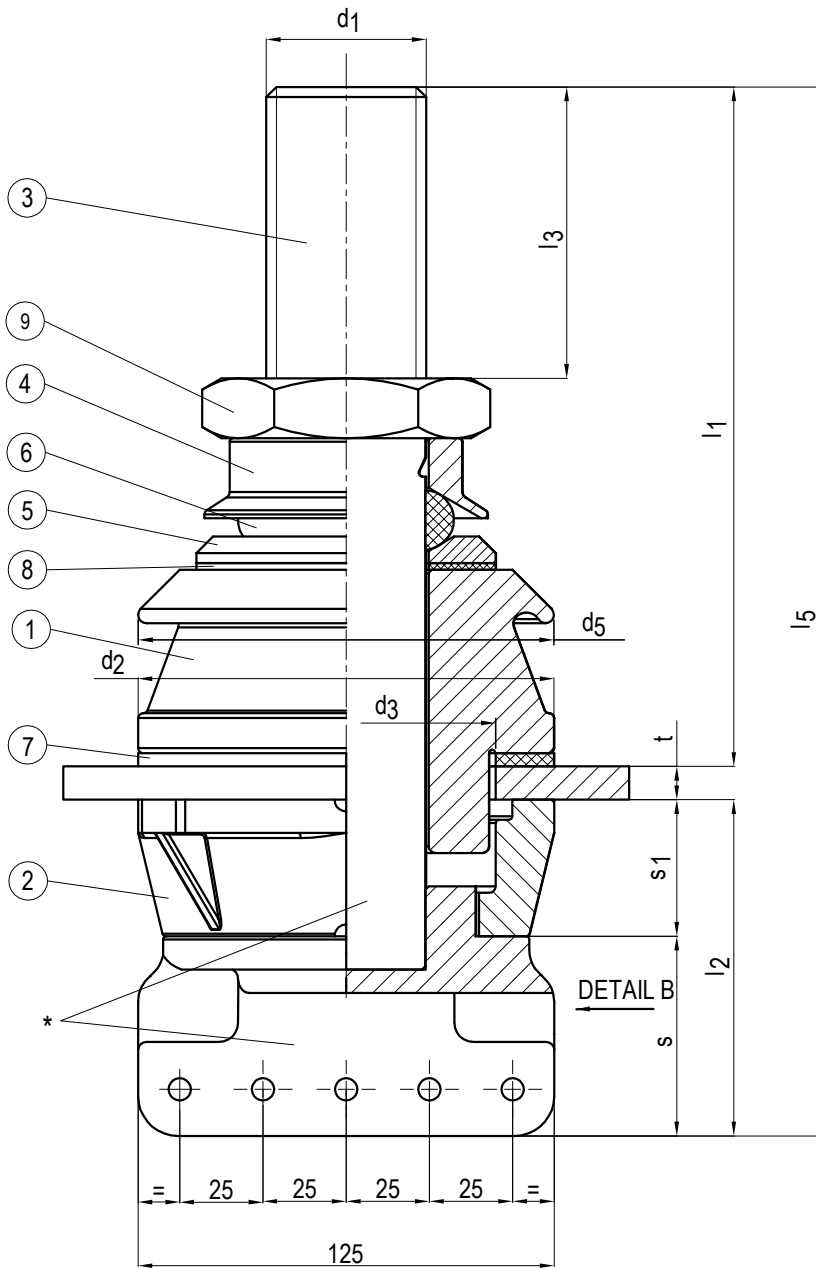
VIEW C

- ⊕ Rated current (A)
- ⊗ Creepage distance (mm)
- ◐ Weight (kg)

Rated Voltage (kV)	Max. Voltage (kV)	Lightning Impulse (kV)	Power Frequency Withstand (Dry&Wet) (kV)
1	1.1	20	10

Type	⊕	⊗	◐	Stem Material (Part Nr. 3)
1/1800	1800	75	6,20	Brass
1/2000	2000	75	6,30	Copper

* The stem consists of two welded parts, main part and bottom closing part. If requested, the stem can be produced as a forged single component.



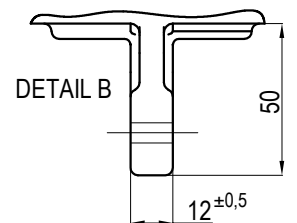
VIEW A

Pos.	Qty.	Description
1	1	Top Insulator (Porcelain)
2	1	Bottom Insulator (PA)
3	1	Copper Stem + Brass Bottom Part
4	1	Brass Cap "E"
5	1	Brass Washer "G"
6	1	Ring Gasket "J"
7	1	Flange Gasket (N)
8	1	Flange Gasket (M)
9	1	Brass Nut UNI 5589

- ⊕ Rated current (A)
- ⊗ Creepage distance (mm)
- ⊙ Weight (kg)

VIEW A

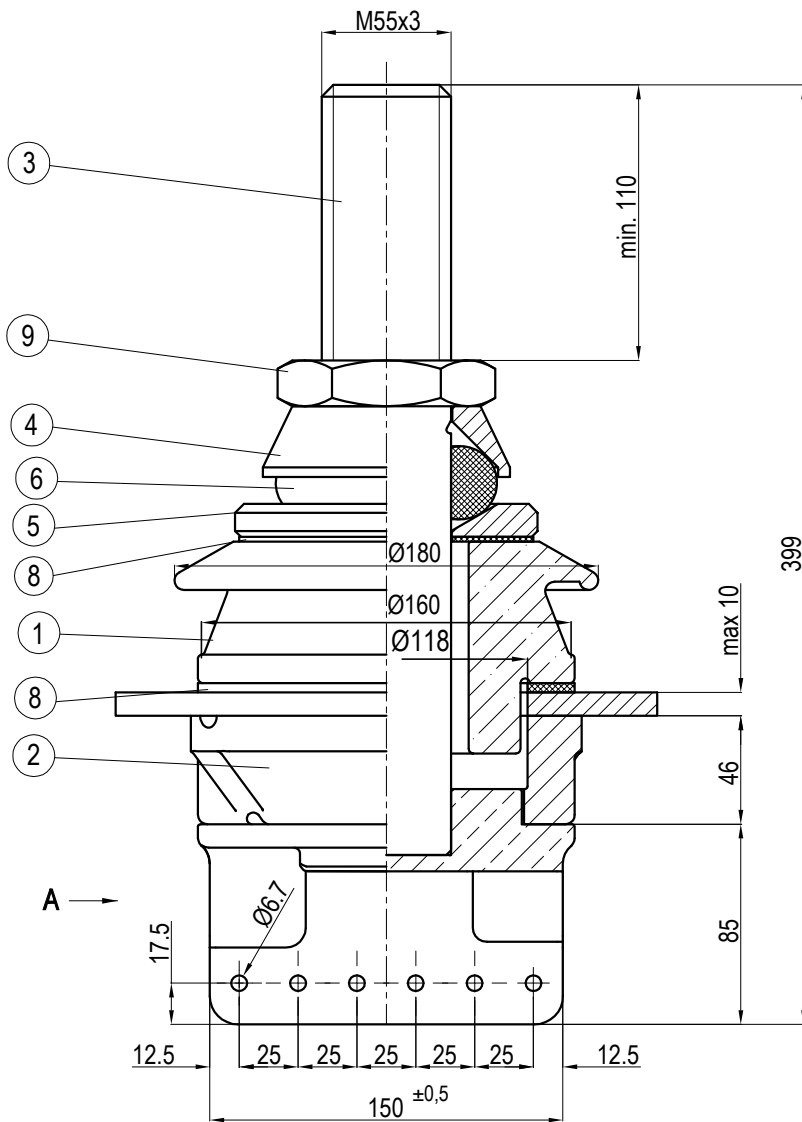
Rated Voltage (kV)	Max. Voltage (kV)	Lightning Impulse (kV)	Power Frequency Withstand (Dry&Wet) (kV)
1	1.1	20	10



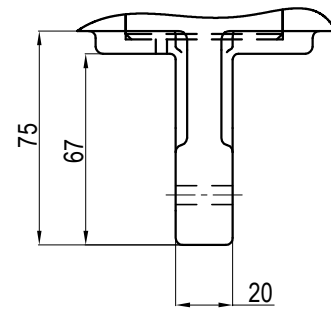
DETAIL B

Type	⊕	l ₁ max.	l ₂ min.	t max.	s	d ₁	d ₂ max.	d ₃ ^{+2/0}	d ₄ max.	s ₁	l ₃ min.	l ₅	d ₅ max.	⊗	⊙
1/2500	2500	250	101	10	60	M48x3	125	90	125	41	90	315	125	75	8,4
1/3150	3150	250	101	10	60	M48x3	125	90	125	41	90	315	125	75	8,6

* The stem consists of two welded parts, main part and bottom closing part. If requested, the stem can be produced as a forged single component.



Pos.	Qty.	Description
1	1	Top Insulator (Porcelain)
2	1	Bottom Insulator (PA)
3	1	Copper Stem + Brass Bottom Part
4	1	Brass Cap "E"
5	1	Brass Washer "G"
6	1	Ring Gasket "J"
7	1	Flange Gasket (M)
8	1	Flange Gasket (N)
9	1	Brass Nut UNI 5589



View A

Rated Voltage (kV)	Max. Voltage (kV)	Lightning Impulse (kV)	Power Frequency Withstand (Dry&Wet) (kV)
1	1.1	20	10

- ⊕ Rated current (A)
- ⊗ Creepage distance (mm)
- ◐ Weight (kg)

Type	⊕	⊗	◐
1/4000	4000	85	15,5

ELKOM[®]

ELKOM SDN. BHD. (271815-D)

GST NO: 002102853632

Lot PT 32696, Kawasan Perindustrian Sungai Purun, Jalan Bangi Lama Batu 1 1/2,
43500 Semenyih, Selangor Darul Ehsan, Malaysia

Tel : +6-03-8727 1488, 8727 1489 Fax : +6-03-8727 1487

Email : elkom@elkom.com.my, info@elkom.com.my Website : www.elkom.com.my



CERTIFICATE No. KLR 0404000