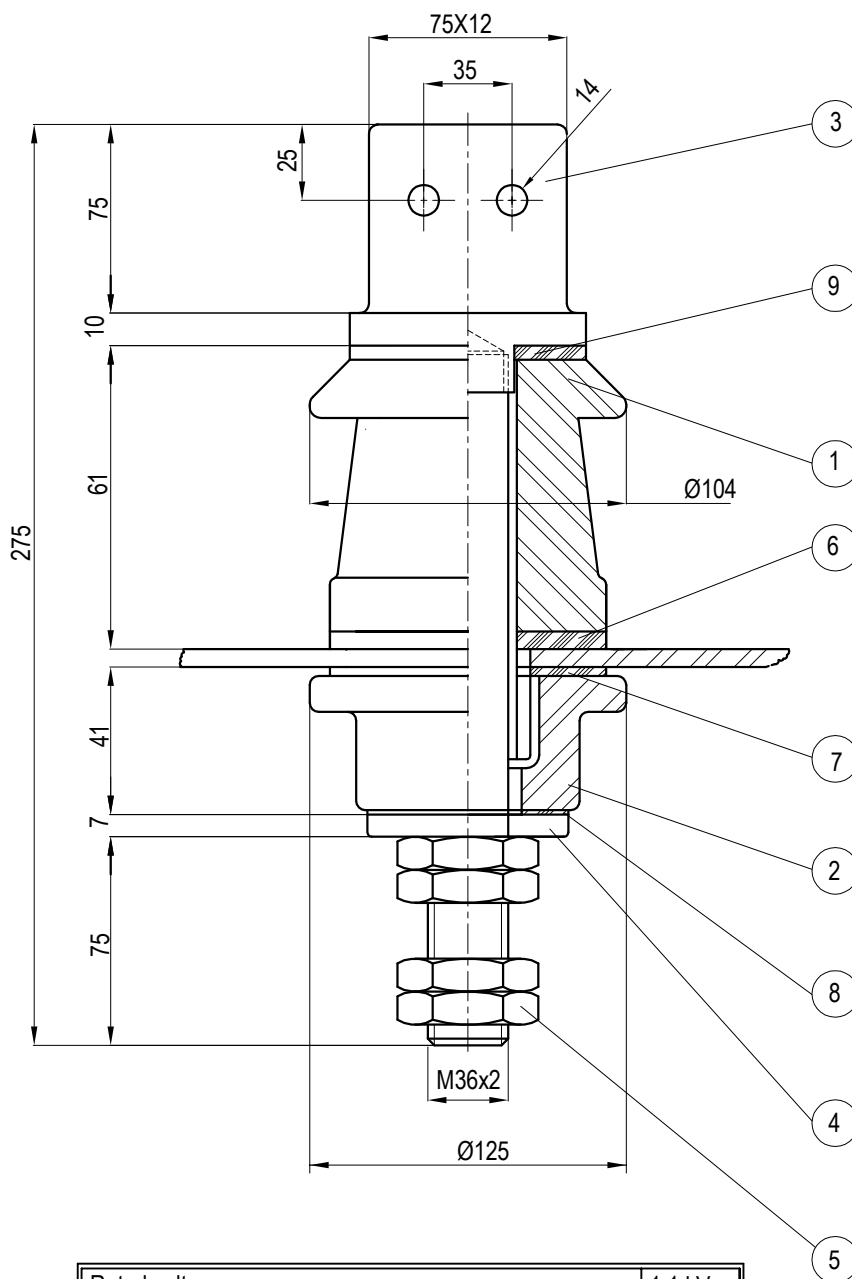


# ELKOM<sup>®</sup>

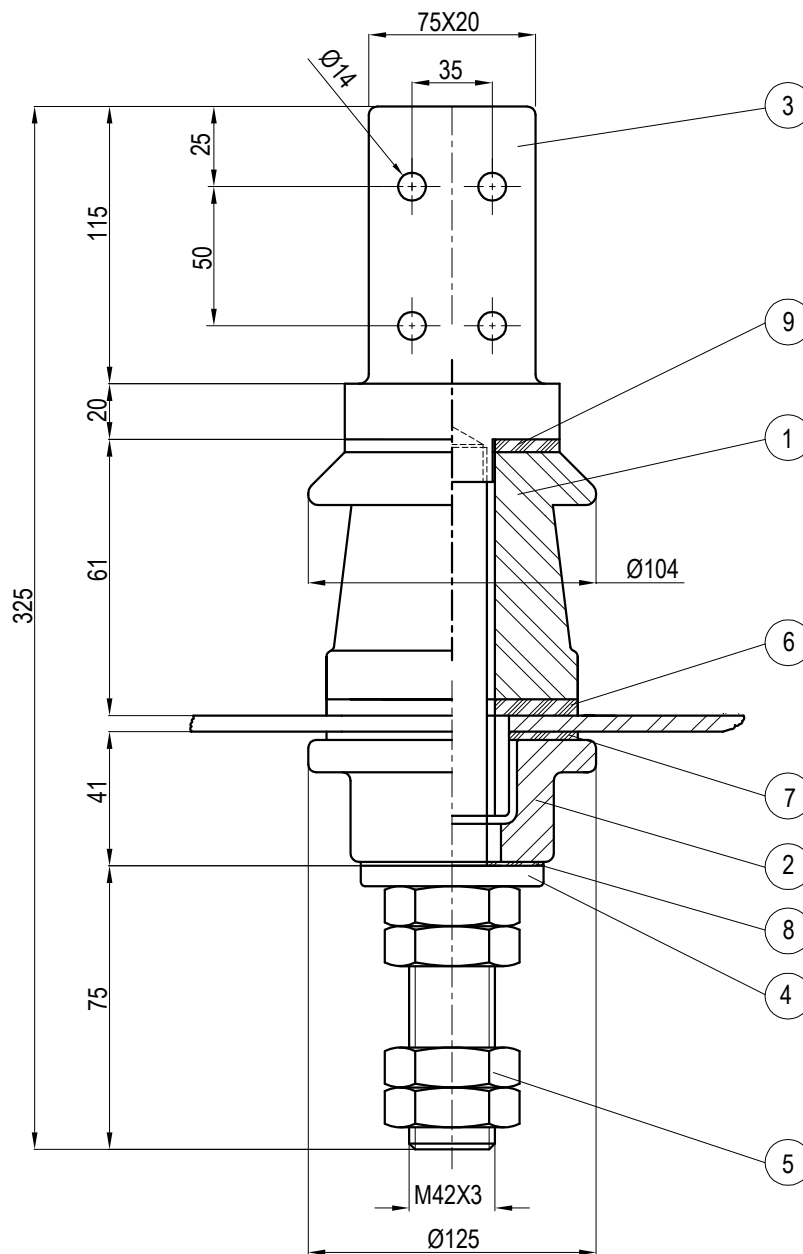


**complete bushings  
(BS types)**



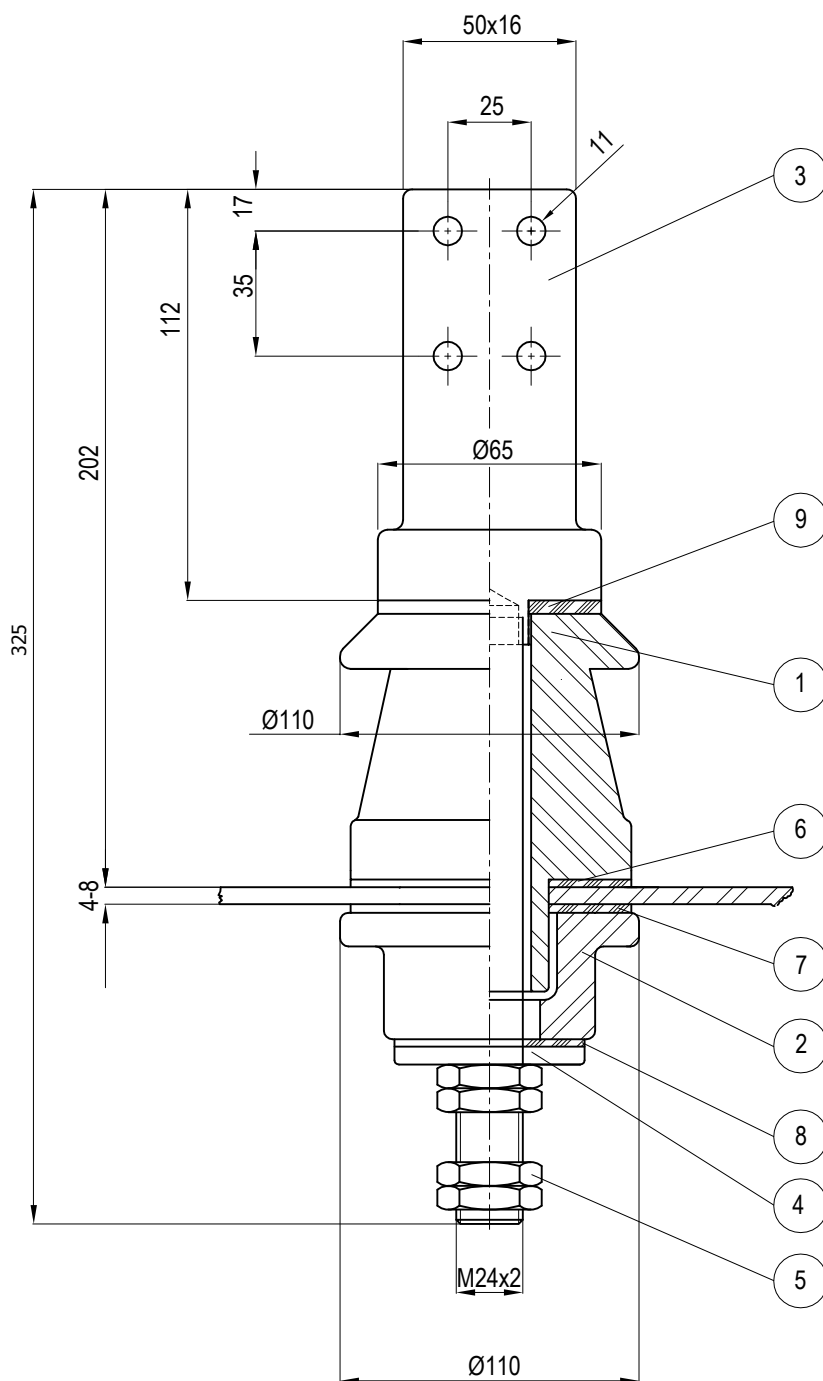
Rated voltage	1,1 kV
Rated current	1600 A
One minute withstand (Power frequency)	10 kV
Full wave withstand test (Impulse voltage)	20 kV
Overall creepage	75 mm
Cover hole	70 mm

Pos.	Qty.	Description	Designation / Material
1	1	Top porcelain	A-2000 DIN 42530
2	1	Bottom porcelain	B-2000 DIN 42530
3	1	Stem + Flag	Copper + Brass
4	1	Brass washer "E"	Brass
5	4	Brass nut M42 ISO 4032	M36 ISO 4035
6	1	Flange gasket "N"	DT 2000 DIN 42530
7	1	Internal gasket (O)	DT 2000 DIN 42530
8	1	Internal gasket (P)	DT 2000 DIN 42530
9	1	Plain gasket (M)	DT 2000 DIN 42530



Rated voltage	1,1 kV
Rated current	2500 A
One minute withstand (Power frequency)	10 kV
Full wave withstand test (Impulse voltage)	20 kV
Overall creepage	75 mm
Cover hole	70 mm

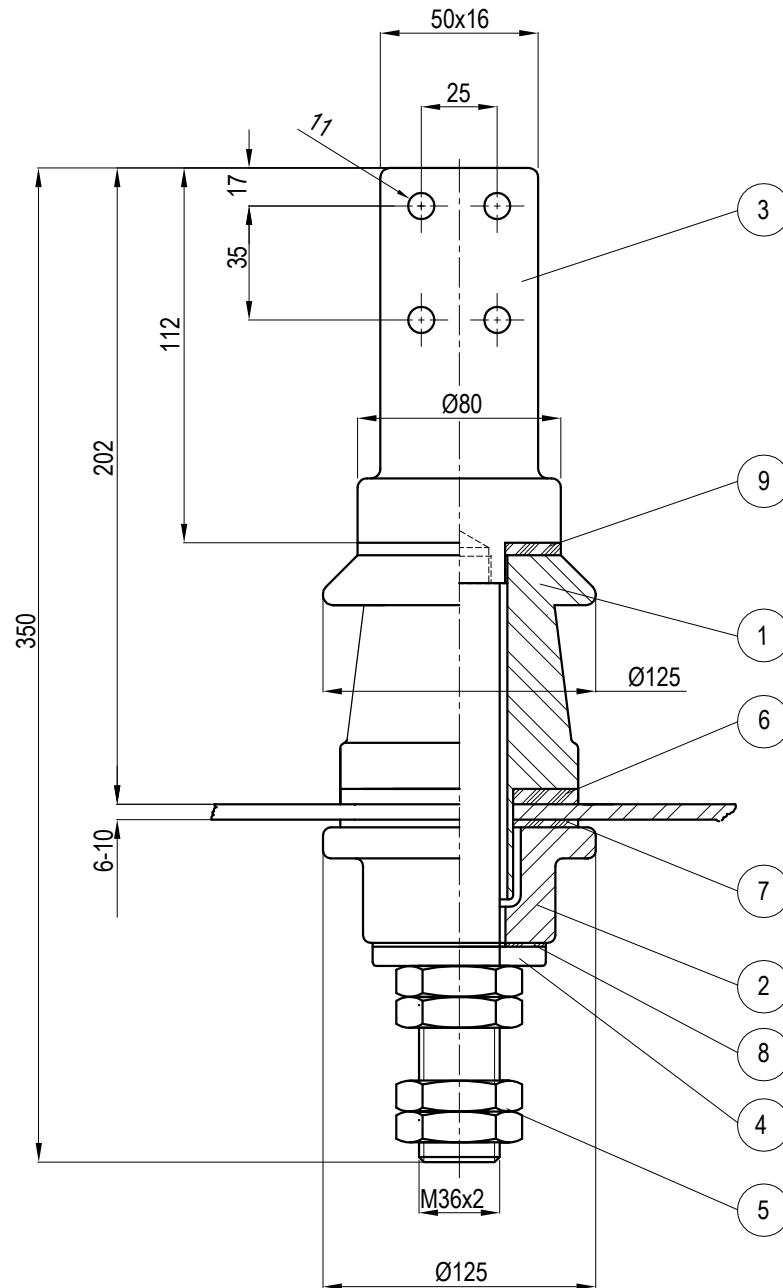
Pos.	Qty.	Description	Designation / Material
1	1	Top porcelain	A-2000 DIN 42530
2	1	Bottom porcelain	B-2000 DIN 42530
3	1	Stem + Flag	Copper + Brass
4	1	Brass washer "E"	Brass
5	4	Brass nut	M42 ISO 4035
6	1	Flange gasket "N"	DT 2000 DIN 42530
7	1	Internal gasket (O)	DT 2000 DIN 42530
8	1	Internal gasket (P)	DT 2000 DIN 42530
9	1	Plain gasket (M)	DT 2000 DIN 42530



Cover hole : Ø56mm

Pos.	Qty.	Description	Designation / Material
1	1	Top porcelain	A-1000 DIN 42539
2	1	Bottom porcelain	B-1000 DIN 42539
3	1	Stem + Flag	Copper + Brass
4	1	Brass washer "E"	Brass
5	4	Brass nut	M24 ISO 4035
6	1	Flange gasket "N"	DT 1000 DIN 42539
7	1	Internal gasket (O)	DT 1000 DIN 42539
8	1	Internal gasket (P)	DT 1000 DIN 42539
9	1	Plain gasket (M)	DT 1000 DIN 42539

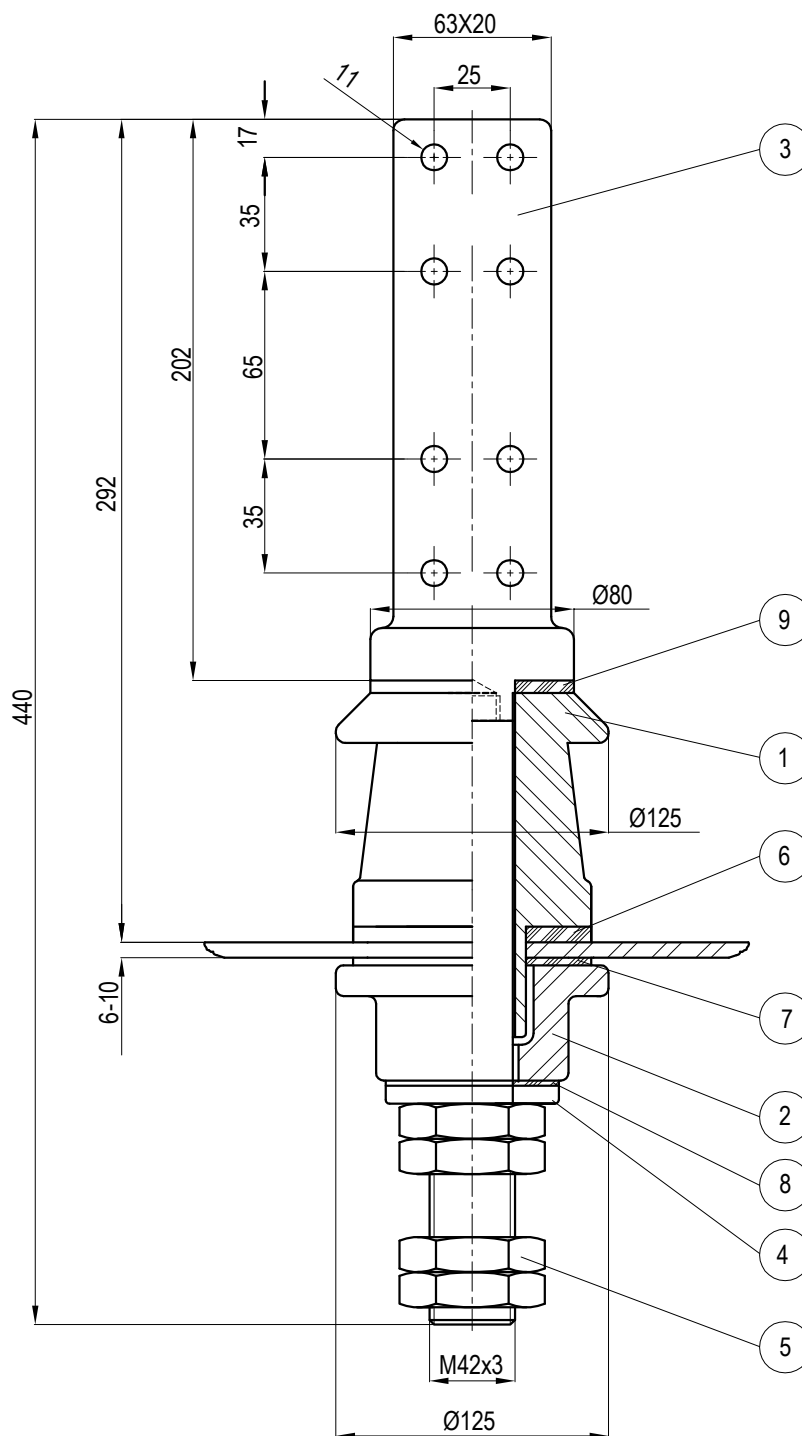
1. This bushing generally meets with the requirements DF DIN standard 42539 (A 3-1000)
2. Standard BIL
3. Mounting hole size :56mm
4. Minimum creepage distance : 125mm
5. Bushing packing weight : 7kg (Approx)



Cover hole : Ø70mm

Pos.	Qty.	Description	Designation / Material
1	1	Top porcelain	A-2000 DIN 42539
2	1	Bottom porcelain	B-2000 DIN 42539
3	1	Stem + Flag	Copper + Brass
4	1	Brass washer "E"	Brass
5	4	Brass nut M36	M36 ISO 4035
6	1	Flange gasket "N"	DT 2000 DIN 42539
7	1	Internal gasket (O)	DT 2000 DIN 42539
8	1	Internal gasket (P)	DT 2000 DIN 42539
9	1	Plain gasket (M)	DT 2000 DIN 42539

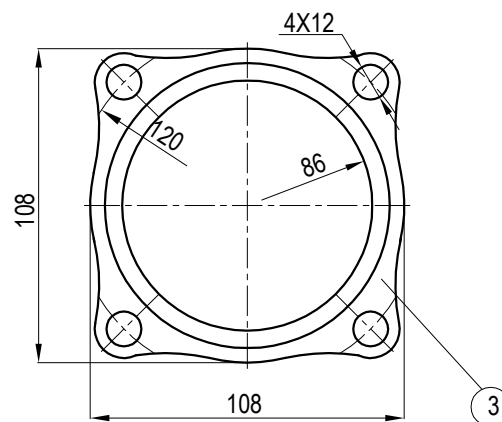
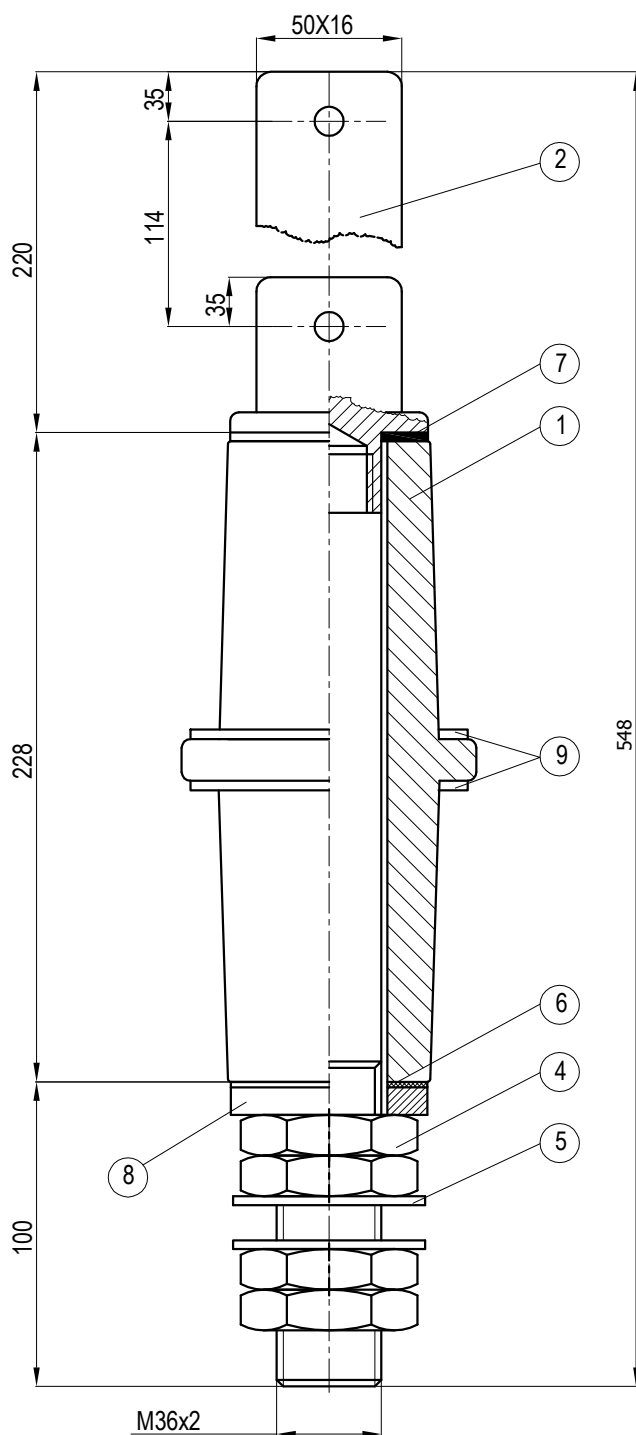
1. This bushing generally meets the requirements DF DIN standard 42539 (DT 2000)
2. Standard BIL level
3. Mounting hole size : 70mm
4. Brass flag to DIN standard 43675 FP
5. Minimum creepage distance : 125mm
6. Bushing packing weight : 17kg (Approx)



Cover hole: Ø70mm

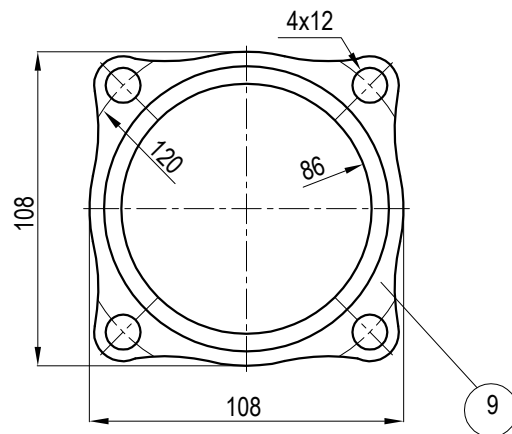
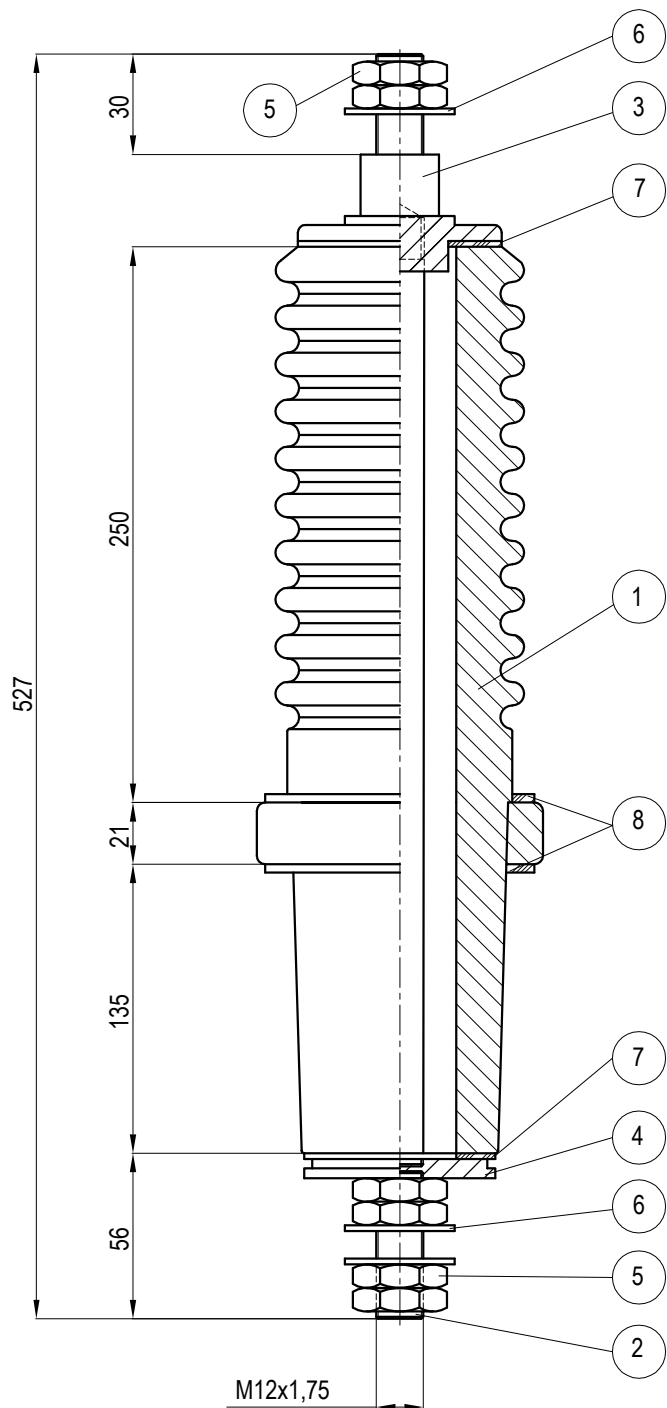
Pos.	Qty.	Description	Designation / Material
1	1	Top porcelain	A-2000 DIN 42539
2	1	Bottom porcelain	B-2000 DIN 42539
3	1	Stem + Flag	Copper + Copper
4	1	Brass washer "E"	Brass
5	4	Brass nut	M42 ISO 4035
6	1	Flange gasket "N"	DT 2000 DIN 42539
7	1	Internal gasket (O)	DT 2000 DIN 42539
8	1	Internal gasket (P)	DT 2000 DIN 42539
9	1	Plain gasket (M)	DT 2000 DIN 42539

1. This bushing generally meets the requirements DF DIN standard 42539 (DT 2000)
2. Standard BIL level
3. Mounting hole size : 70mm
4. Brass flag to DIN standard 43675 FP
5. Minimum creepage distance : 125mm
6. Bushing packing weight : 17kg (Approx)



Mounting hole size :83 dia.  
Welded stud M10x60 long  
(Not supplied)

Pos.	Qty.	Description
1	1	Top porcelain "A"
2	1	Stem
3	1	Fixing ring
4	4	Brass lock nut M36 ISO 4035
5	1	Washer for M36
6	1	Internal gasket "X"
7	1	Plain gasket "M"
8	1	Brass washer "G"
9	1	Flange gasket "N"

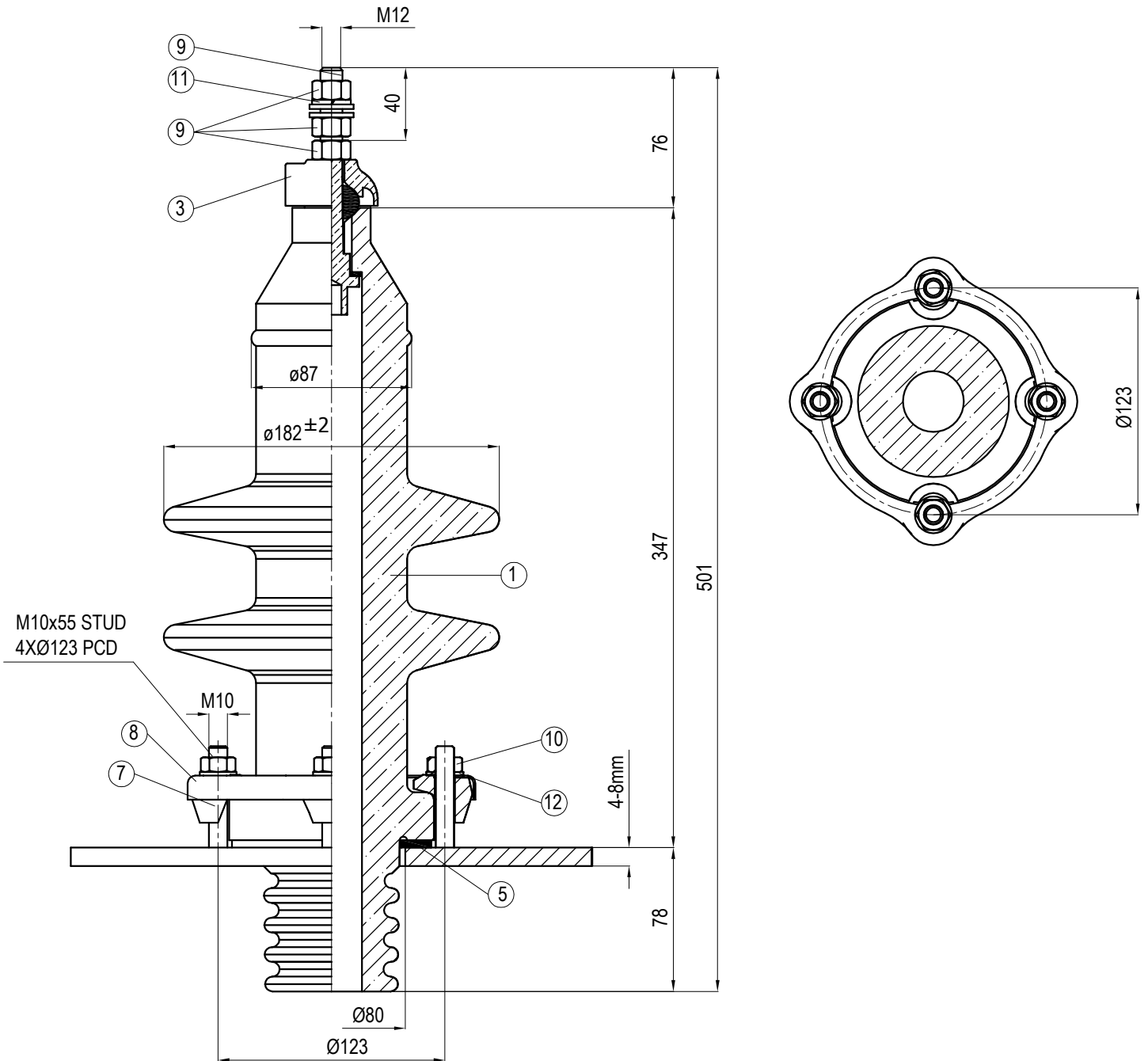


Mounting hole size :83 dia.  
Welded stud M10x60 long  
(Not supplied)

Pos.	Qty.	Description
1	1	Top porcelain "A"
2	1	Stem
3	1	Brass washer "E"
4	1	Brass washer "G"
5	6	Brass lock nut M12 ISO 4035
6	3	Washer for M12
7	2	Flange gasket "M"
8	2	Plain gasket "N"
9	1	Fixing ring

1. Creepage 135/300
2. Specification reference spec.IEC 137/BS6435
3. Standard BIL level : 125kV





Pos.	Qty.	Description	Material
1	1	Porcelain	
2	1	Stem	Brass
3	1	Brass washer "E"	Brass
4	1	Gasket "J" 30X12X18	NBR
5	1	Flange gasket "N" 108X76X6	NBR Cork
6	1	Internal gasket (O) 32X15X2	NBR Cork
7	1	Clamping	Aluminium
8	1	Fixing Ring	St
9	3	Nut M12	Brass
10	4	Nut M10	St
11	2	Washer For M12	Brass
12	4	Washer For M10	St

# ELKOM<sup>®</sup>

**ELKOM SDN. BHD.** (271815-D)

GST NO: 002102853632

Lot PT 32696, Kawasan Perindustrian Sungai Purun, Jalan Bangi Lama Batu 1 1/2,  
43500 Semenyih, Selangor Darul Ehsan, Malaysia

Tel : +6-03-8727 1488, 8727 1489 Fax : +6-03-8727 1487

Email : [elkom@elkom.com.my](mailto:elkom@elkom.com.my), [info@elkom.com.my](mailto:info@elkom.com.my) Website : [www.elkom.com.my](http://www.elkom.com.my)



CERTIFICATE No. KLR 0404000