

ELKOM[®]

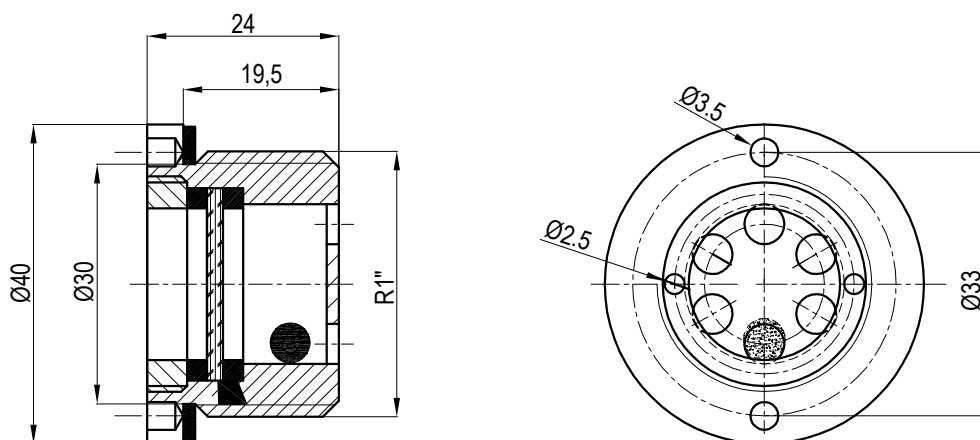


oil level indicators

OIL LEVEL INDICATOR R1" (FOR HERMETICALLY SEALED TYPE TRANSFORMERS)

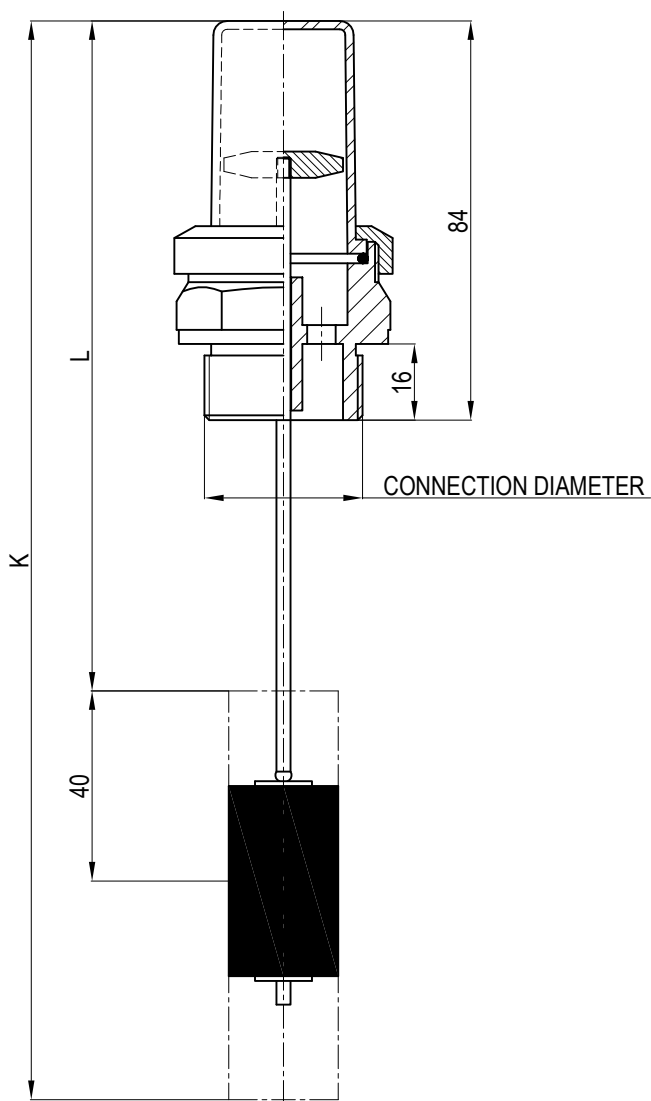
TYPE: OLI-C

CODE NO: 231



OIL LEVEL INDICATOR VERTICAL (FOR HERMETICALLY SEALED TYPE TRANSFORMERS)

TYPE: OLI-D



CODE NO	CONNECTION DIAMETER	K	L
232	R1"	227	141
23201	R1 1/2"	227	141
23203	R1 3/4"	227	141
23204	R2"	227	141
232-1	R1"	267	181
23202-1	R1 1/2"	267	181
23203-1	R1 3/4"	267	181
23204-1	R2"	267	181

ELKOM[®]

ELKOM SDN. BHD. (271815-D)

GST NO: 002102853632

Lot PT 32696, Kawasan Perindustrian Sungai Purun, Jalan Bangi Lama Batu 1 1/2,
43500 Semenyih, Selangor Darul Ehsan, Malaysia

Tel : +6-03-8727 1488, 8727 1489 Fax : +6-03-8727 1487

Email : elkom@elkom.com.my, info@elkom.com.my Website : www.elkom.com.my



CERTIFICATE No. KLR 0404000