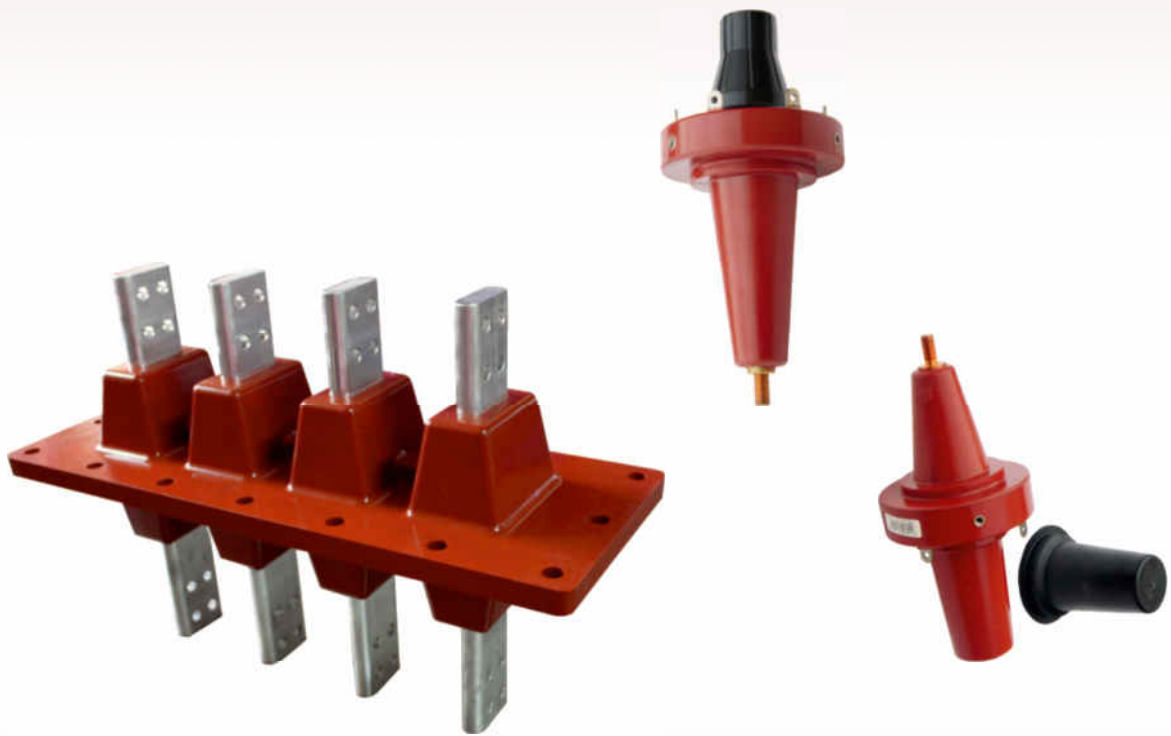
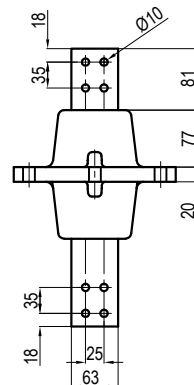
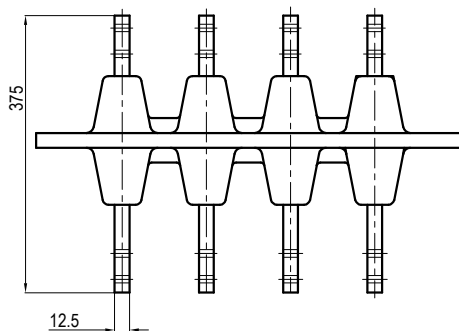


ELKOM[®]

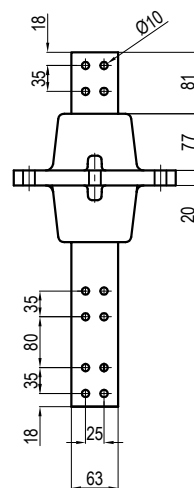
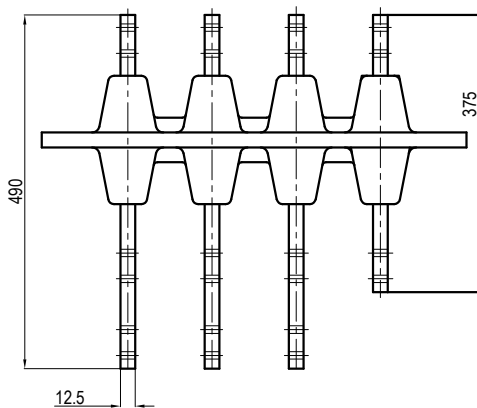


**epoxy-resin bushings
(monoblocks , plug-in types)**

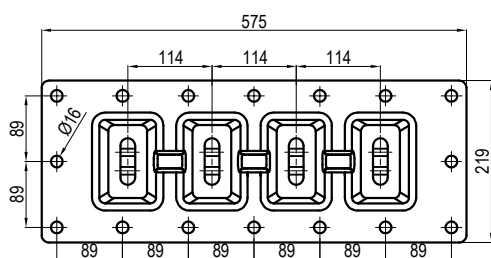
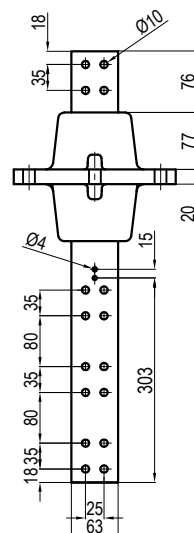
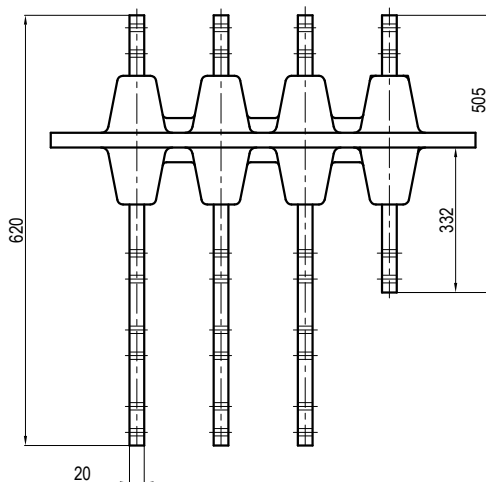
800A



1400A



2500A



EQUIPMENT BUSHINGS

APPLICATION

For use in equipment insulated with oil fluid typically for transformers, switchgear, capacitors...

DESIGN

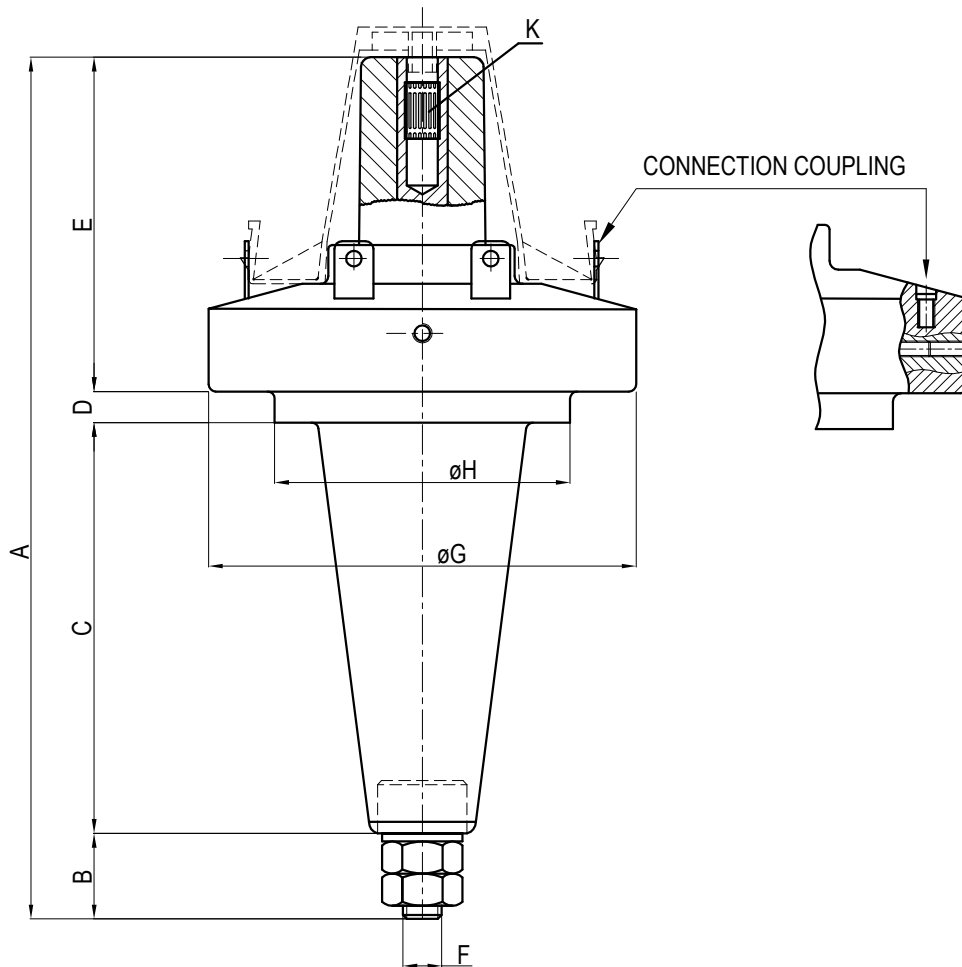
Moulded epoxy insulated bushing in accordance with CENELEC EN 50 180 .

SPECIFICATIONS AND STANDARDS

ELKOM plug-in equipment bushings meet the requirements of CENELEC EN 50 180 AND IEC 137.

TECHNICAL CHARACTERISTICS

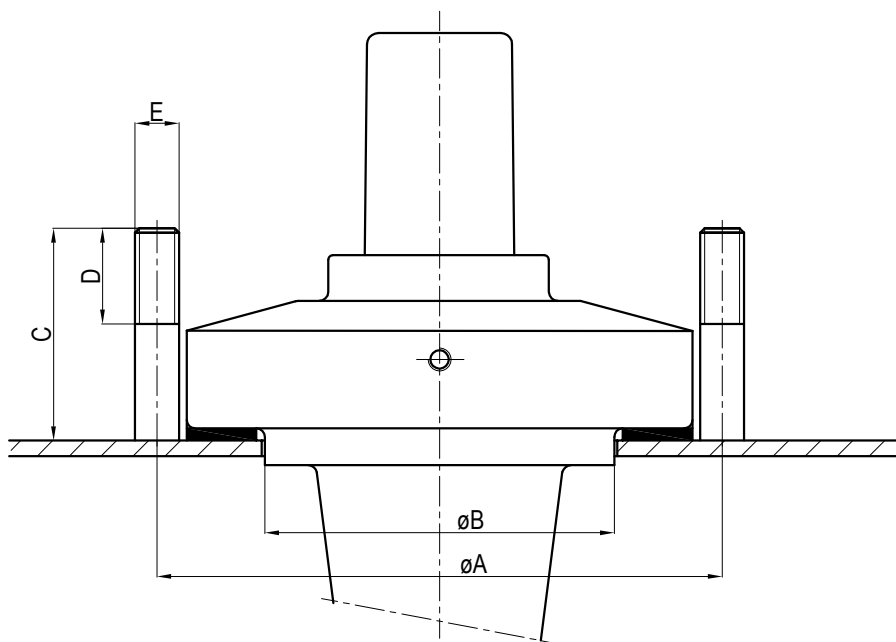
Each bushing is tested for industrial power frequency and partial discharge prior to leaving the factory.



INSULATOR TYPE	DIMENSIONS								CONTACT TYPE	CONNECTION COUPLING	
	A	B	C	D	E	F	G	H	K	TYPE	Qty
PEB24/250U	224	22	108	8	86	M10	Ø111	Ø76	SLIDING CONTACT	TERMINAL	6
PEB24/250K	189	22	73	8	86	M10	Ø111	Ø76	SLIDING CONTACT	TERMINAL	6
PEB24/250KB WITH THREADED INSERTS	189	22	73	8	86	M10	Ø111	Ø76	M6	THREAD M6x12	2
PEB24/250U1	284	22	168	8	86	M10	Ø111	Ø76	SLIDING CONTACT	TERMINAL	6
PEB36/250	240	22	80	8	130	M10	Ø111	Ø75	SLIDING CONTACT	TERMINAL	4
PEB36/400	330,5	41,5	147	10	132	M16	Ø128	Ø87	SLIDING CONTACT	TERMINAL	4
PEB36/630	332	41,5	147	10	133,5	M16	Ø128	Ø87	M16	THREAD M16	/

IDENTIFICATION		STANDARDS			OIL LEVEL	VERSION WITH FLANGE
TYPE	CATALOG Nr.	INTERFACE	INTERFACE TYPE	COMPLETE INSULATOR	DIMENSION "X" (fig. 2)	TYPE
24kV/250A	PEB24/250U	EN 50180 / UTE C 66-555 IEEE Std 386	A	EN 50180 / DIN 47636 HN 52 - S 61	6 - 10kV 40mm 12 - 20kV 50mm	"A" DIN 42538
24kV / 250A (Short)	PEB24/250K	EN 50180 / EN 50181 DIN 47636 / HN 52-S-61 IEEE Std 386	A	UTE C 66-555	Total	"A" DIN 42538
24kV / 250A (Short)	PEB24/250KB with threaded inserts	EN 50180 / EN 50181 DIN 47636 / HN 52-S-61 UTE C 66-555	A	ELKOM	Total	"A" DIN 42538
24kV / 250A (Long)	PEB24/250U1	EN 50180 / EN 50181 DIN 47636 / HN 52-S-61 IEEE Std 386	A	ELKOM	Total	"A" DIN 42538
36kV/250A	PEB 36/250	EN 50181 / HN 52-S-61	B	UTE C 66-555	6 - 10kV 40mm 12 - 20kV 50mm 18 - 30kV 70mm	*
36kV/400A	PEB 36/400	EN 50181 / HN 52-S-61	B	EN 50180 / DIN 47636	6 - 10kV 40mm 12 - 20kV 50mm 18 - 30kV 70mm	"B" DIN 42538
36kV/630A	PEB 36/630	EN 50181 / DIN 47636	C	EN 50180	6 - 10kV 40mm 12 - 20kV 50mm 18 - 30kV 70mm	"B" DIN 42538

* Mount using only the special blocks supplied

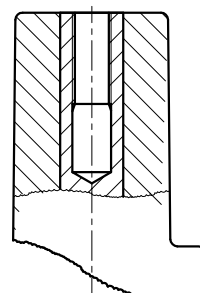
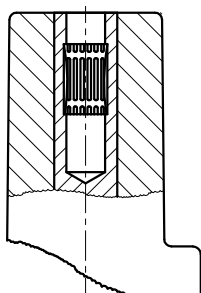


STANDARD	A	B	C	D	E	FIXING STUDS	TYPE
DIN 42538	123	76	55	25	M10	4	A
DIN 42538	140	87	55	25	M10	6	B

CONTACT SYSTEMS

E TYPE CONTACT SYSTEM

D TYPE CONTACT SYSTEM

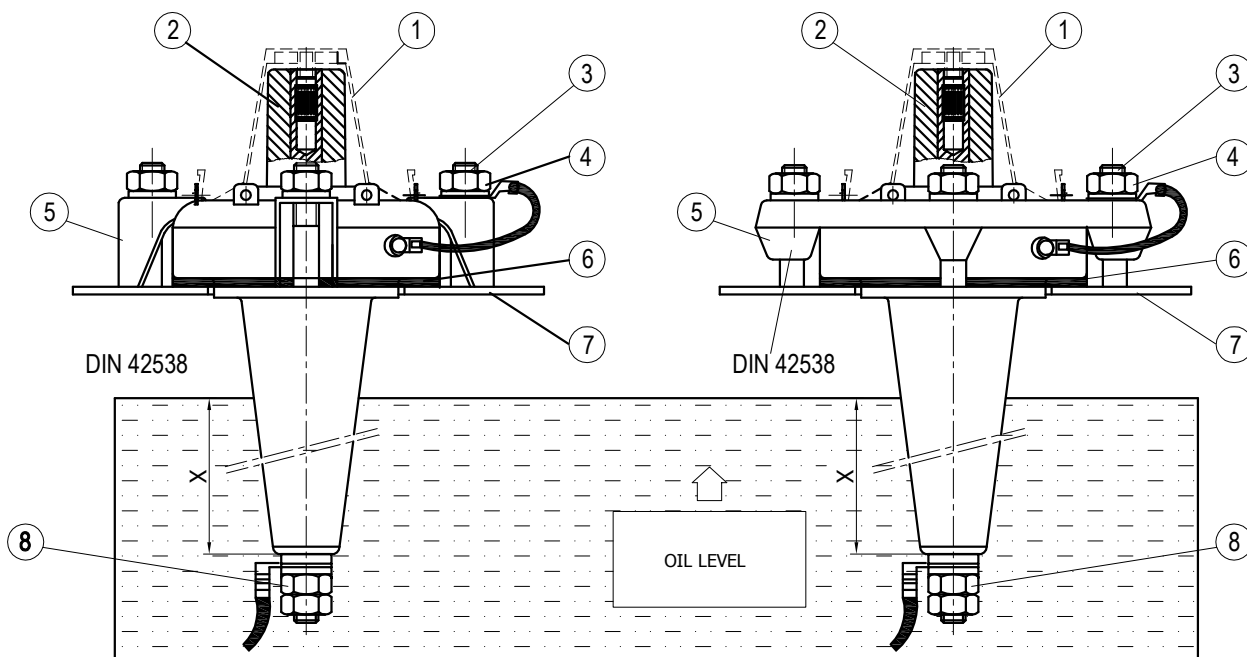


SLIDING TYPE CONTACT

THREADED TYPE CONTACT

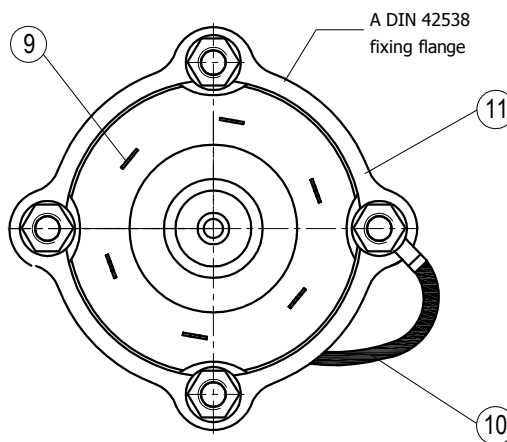
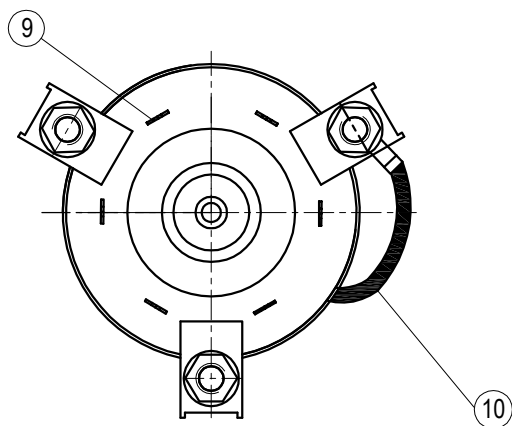
E TYPE MOUNTING

G TYPE MOUNTING



DIN 42538

DIN 42538



DIN 42538

GERMAN STANDARDS

DESCRIPTION

1	PROTECTIVE COVER
2	CONNECTION INTERFACE
3	STUD SCREW
4	FIXING NUTS
5	TYPE G ALU-CLAMPING E DIN 42538
5	TYPE E ST- CLAMPING
6	GASKET

7	TRANSFORMER
8	CONNECTION BOLTS
* 9	FIXING SHOE
10	EARTH JUMPER
11	FIXING FLANGE A DIN 42538

ELKOM[®]

ELKOM SDN. BHD. (271815-D)

GST NO: 002102853632

Lot PT 32696, Kawasan Perindustrian Sungai Purun, Jalan Bangi Lama Batu 1 1/2,
43500 Semenyih, Selangor Darul Ehsan, Malaysia

Tel : +6-03-8727 1488, 8727 1489 Fax : +6-03-8727 1487

Email : elkom@elkom.com.my, info@elkom.com.my Website : www.elkom.com.my



CERTIFICATE No. KLR 0404000